



Datenblatt - Fiche technique - Data sheet

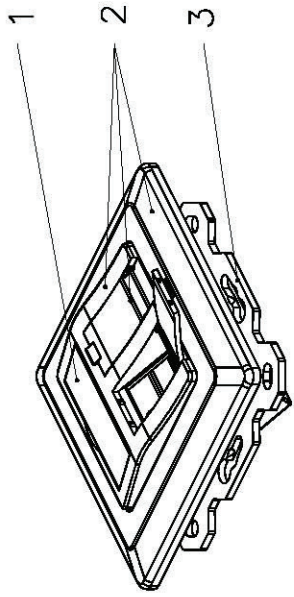
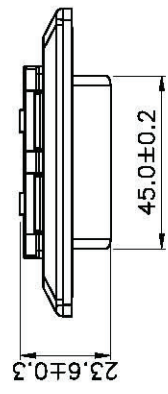
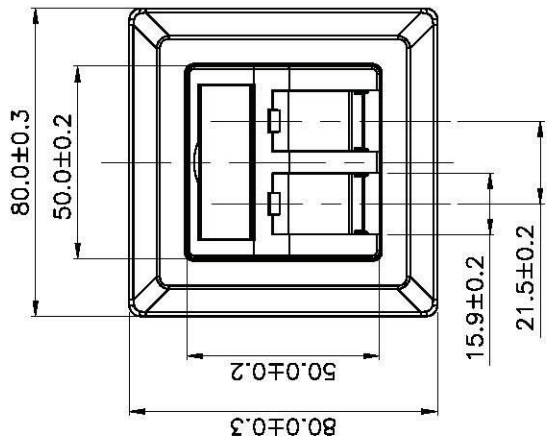
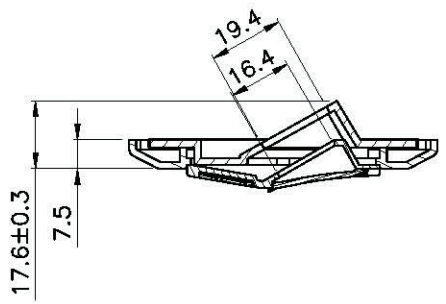
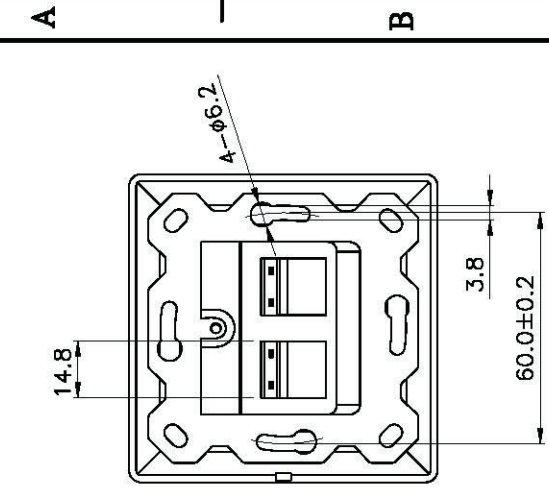
25.16.8579



Modulaufnahme für Keystones, 2fach

Module pour Keystones, x2

Flush Mount Wall Outlet for Keystones, 2-port



SCALE 1/2

Specification :

- Material :
- 1-1. I.D. Plate : PVC, Transparent color.
 - 1-2. Paper.
 - 1-3. Frame : ABS, UL 94V-0.
 - 2. Flush Plate : ABS, UL 94-HB.
 - 3. Shield : Zinc Die-casting.

GENERAL TOLERANCE OF DIMENSIONS X.XXX ±0.005 X.XX ±0.05 X.X ±0.1	DRAWING	DATE	NAME	ITEM NO.:
	CHECK	1/2 (A4)	Flush Mounting Socket for Keystones, dual port, white color	25.16.8579
	APPROVAL			
		DRAWING NO.		DRAWING CLASSIFICATION
		SHEET		1 OF 1

