



# *i*SEVEN *by Conteg!*

## **BENEFIT #7 OF *i*SEVEN**

### **SMART BUY**

Are you looking for a rack which satisfies your requirements for supporting data & telecommunications equipment? Are you seeking the best possible price/quality ratio from a leading European manufacturer?  
**IS YOUR BUDGET STRETCHED?**

If you have answered "YES" to the above then the new *i*SEVEN rack is the ideal choice offering competitive pricing matched with CONTEG quality. *i*SEVEN is delivered fully assembled and equipped with all of the standard features you'd expect from a leading producer.

**WANT TO KNOW THE OTHER SIX BENEFITS?  
PLEASE SEE OVER!**



**CONTEG**

**...to complete your network**



## CONTEG QUALITY

iSEVEN continues CONTEG's tradition of quality driven manufacturing.

## UNBEATABLE VALUE

The iSEVEN offers unsurpassed value for money!

## CLEVER DESIGN

From the beginning the iSEVEN has been designed to be user friendly.

## EASY ORDERING

Simply select your chosen configuration from the part code table and specify your chosen colour.

## QUICK DELIVERY

iSEVEN racks are available ex-works from our stock.

## COMPATIBILITY

The iSEVEN keeps the full compatibility with the standard CONTEG accessories.





**Data Sheet** iSEVEN series, 600 mm wide 19" racks

Data\_Sheet\_EN\_05-02-09\_conteg ©

The iSEVEN 19" rack has been designed to provide the user with an unmatched ratio between price, utility value and quality. This rack is the ideal choice for installers and end users who want to spend less time on choosing between various options and configuring difficult product part numbers. After thorough research, we have prepared a portfolio of the most common dimensions together with one universal design.

**KEY FEATURES**

**Coding**

iSEVEN is a trade name; in all technical documents (data sheets, catalogue) iSEVEN is referred to as RI7

**Dimensions**

iSEVEN is available in the most common heights 42U and 45U, and the most commonly used small sizes - 21 and 27U; available footprints differ slightly for the above mentioned heights (see overleaf/below)

**Frame**

The frame is made from 1.5mm high-quality sheet steel; the iSEVEN cabinet keeps a high level of rigidity and stability (load rating 400kg; decreased to 300kg for 27U and 21U RI7 racks)

**Color**

iSEVEN is available in two colors: light grey (RAL 7035, Code - B) and black (RAL 9005, Code - H)

**Options**

iSEVEN fully satisfies the requirements for safe housing of equipment, cabling, ventilation & power supplies. The range of options is reduced in comparison with the highly customisable ROF family. In case your requirements are more complex, please refer to ROF family of racks or to respective specialist rack series (ROS, ROR, ROP, RSB)



**RELATED ACCESSORIES**

- Ventilation Units
- Vertical Cable Management
- Horizontal Cable Management
- Shelving
- Blanking Panels
- Socket Panels
- Lighting Unit
- Fiber-optic splice boxes
- Patch panels
- Plinths and castors
- Earthing products

**APPLICATIONS**

The iSEVEN rack is designed for deployment within Network Equipment Rooms, Telecommunications Closets and Computer rooms when special configurations for load rating, cable entries or door/panel options are not required. The number of options is balanced by a highly competitive price point and excellent availability.



**21, 27, 42, 45**



**600mm**



**600, 800, 1000mm**



**400/300kg**



**IP30**



**RAL 7035, RAL 9005**

## STANDARD EQUIPMENT

- 2 pairs of 19" sliding vertical extrusions
- Security glass front door (EN 12150-1) with swivel handle lock, keyed universal
- Rear panel with cable entry and lock, keyed universal
- 1 pair of side panels with lock, keyed universal
- 4 adjustable feet
- GND/earthing kit
- 28 mounting kits



## DESCRIPTION

### Sizes

- Height: 21, 27, 42, 45U
- Width: 600mm
- Depth: 600, 800, 1000mm

### Construction

- Welded frame construction
- 1.5mm sheet steel

### Load rating

- 21 & 27U: 300kg
- 42 & 45U: 400kg

### IP rating

- IP30

### Colors

- RAL 7035 or RAL 9005

### Front door

- Security glass door with swivel handle lock
- Optional sheet steel door
- Easy re-hanging to open on right or left
- Door opening angle 180°

### Rear panel

- Removable with knock-out cable entry and lock
- Rear sheet steel door

### Side panels

- Removable with locks

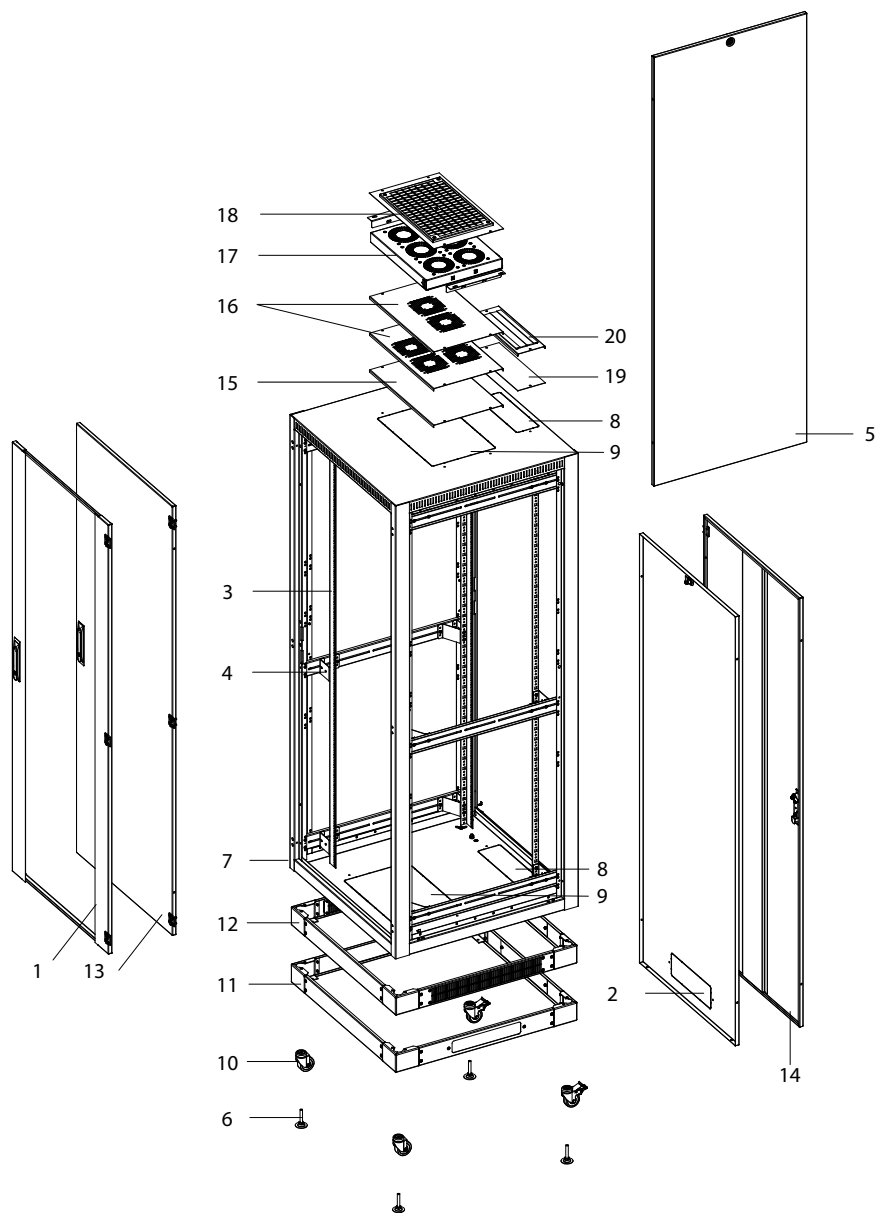
### Knock-out openings - cable entry

- Universal size 300x100mm
- Available in top plate, bottom plate and rear panel
- Can be covered by blank panels (ordered separately)

### Knock-out openings - ventilation unit installation

- Standard size 480x280mm (1000mm deep - 480x440mm)
- Available in top and bottom plate
- Can be covered by blank panels (ordered separately)

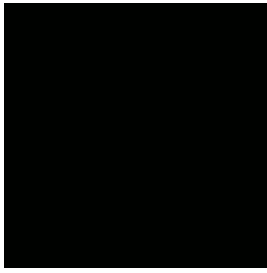
### Adjustable feet



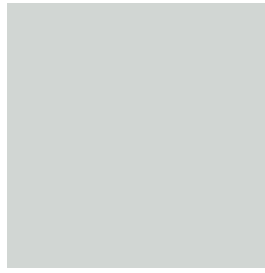
STANDARD EQUIPMENT		SOME OPTIONAL EQUIPMENT/ ACCESSORIES	
1	Front glass door	10	Castors
2	Rear sheet steel panel with knock-out opening for cable entry	11	Plinth
3	4 pcs of 19" vertical extrusions	12	Plinth with filter
4	Holder of vertical extrusions	13	Front sheet steel door
5	1 pair of side sheet steel panels	14	Rear sheet steel door
6	Adjustable feet	15	Blank panels for openings for ventilation unit
7	Frame of rack	16	Perforated gland plate
8	Top and bottom knock-out openings for cable entry	17	Ventilation unit
9	Top and bottom knock-out openings for ventilation unit	18	Connecting kit with filter for ventilation unit
		19	Blank panel for cable entry openings
		20	Dust proof panel with brush for cable entry openings



## COLOR SAMPLER

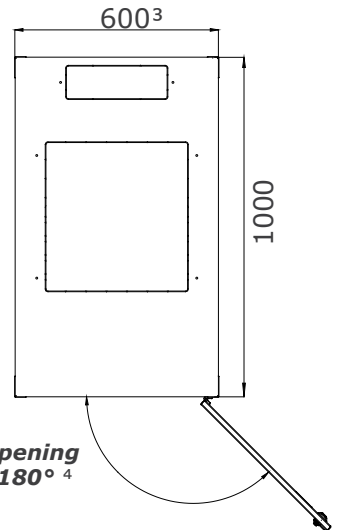


**RAL 9005**



**RAL 7035**

This color sampler represents standard color range of CONTEG racks and accessories. For available colors of each product please read the appropriate description.

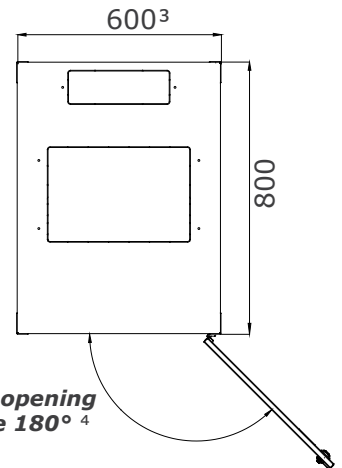
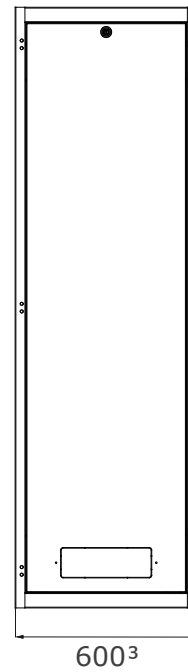
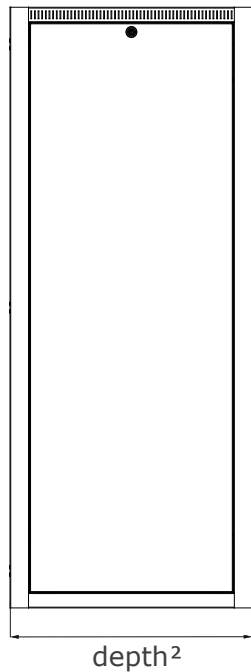
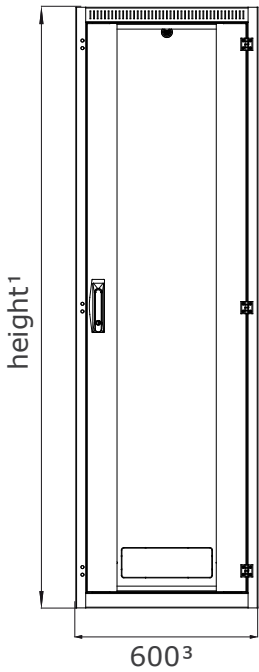


**max. opening angle 180°<sup>4</sup>**

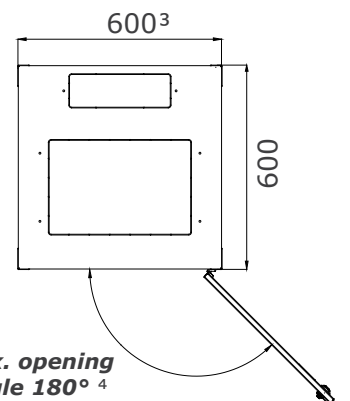
**Front view**

**Side view**

**Rear view**



**max. opening angle 180°<sup>4</sup>**



**max. opening angle 180°<sup>4</sup>**

### All dimensions in mm

<sup>1</sup>available heights - 21U/1044mm, 27U/1311mm, 42U/1978mm, 45U/2111mm

<sup>2</sup>available depths - 600, 800, 1000mm

<sup>3</sup>for 800mm wide iSEVEN racks see the data sheet *iSEVEN series, 800mm wide 19" racks*

<sup>4</sup>when rear doors applied (rear panel as standard) the max. angle is also 180°

### Ventilation unit openings

420x280mm (1000mm deep - 420x440mm)

### Cable entries

300x100mm

