



Datenblatt - Fiche technique - Data sheet

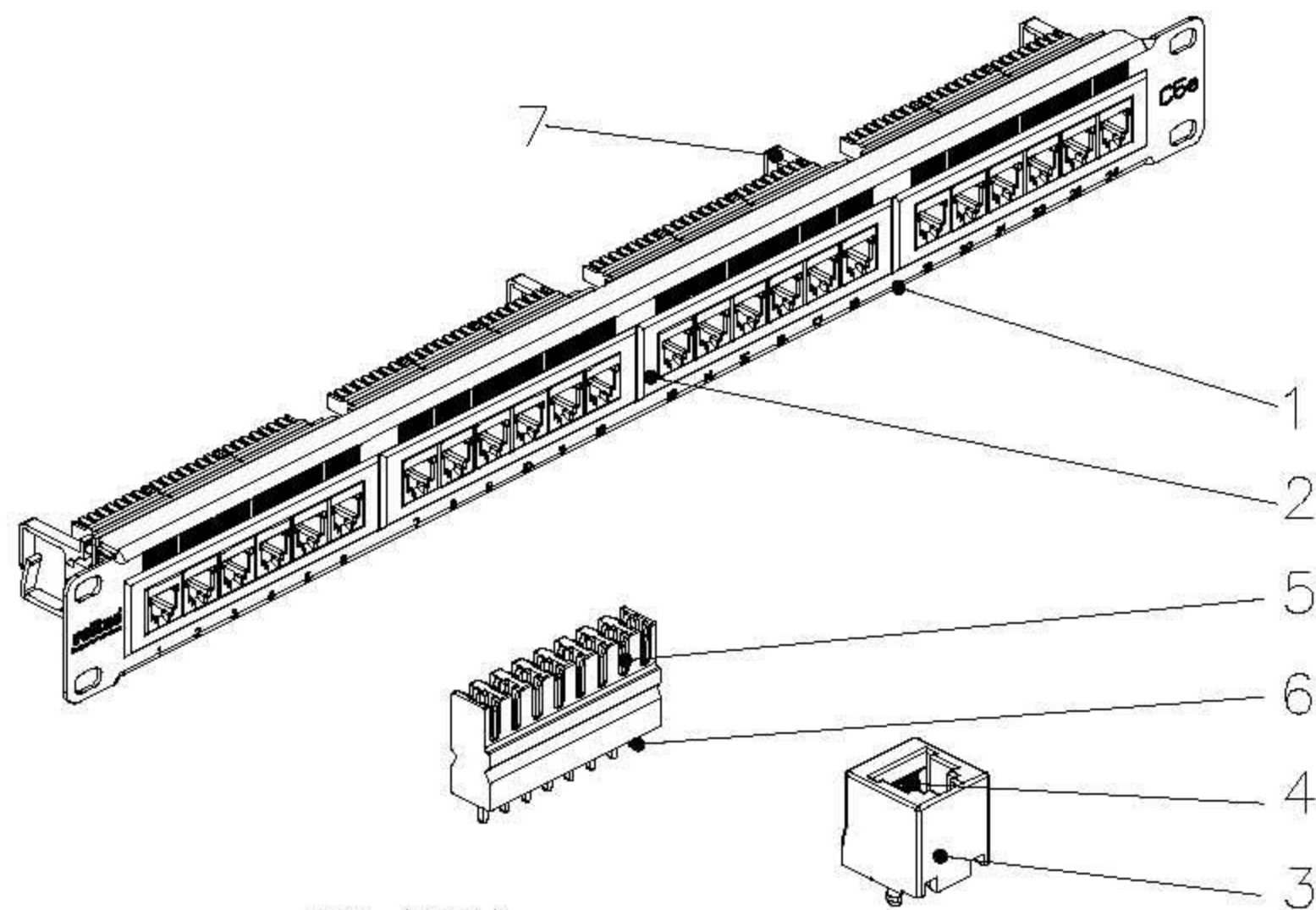
26.11.0347



ROLINE Kat.5e 19"-Panel, 24 Ports, UTP, lichtgrau

ROLINE Panneau de brassage 19" Cat. 5e UTP, 24 ports, gris clair

ROLINE Cat.5e 19" Patch Panel, 24 Ports, UTP, light grey



IDC (K11)
110/Krone Dual IDC

RJ45
Top Entry Jack

SCALE 1/4

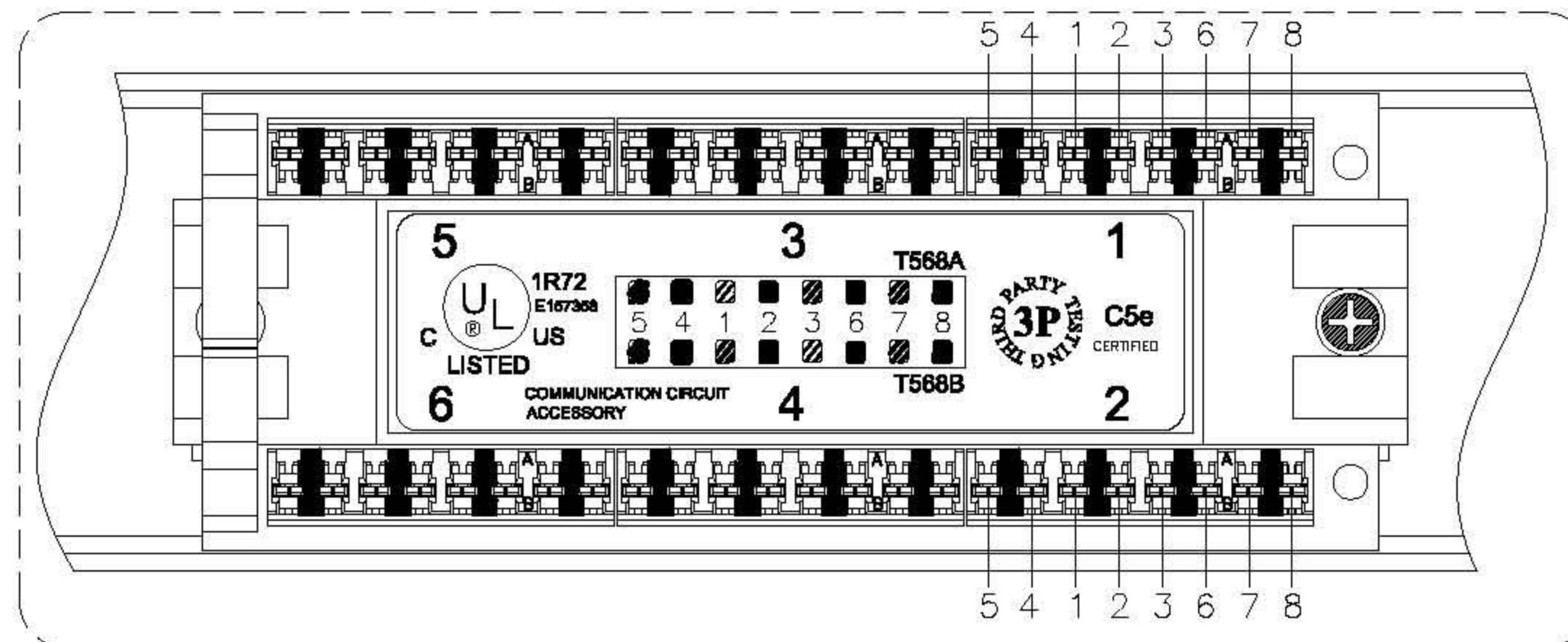
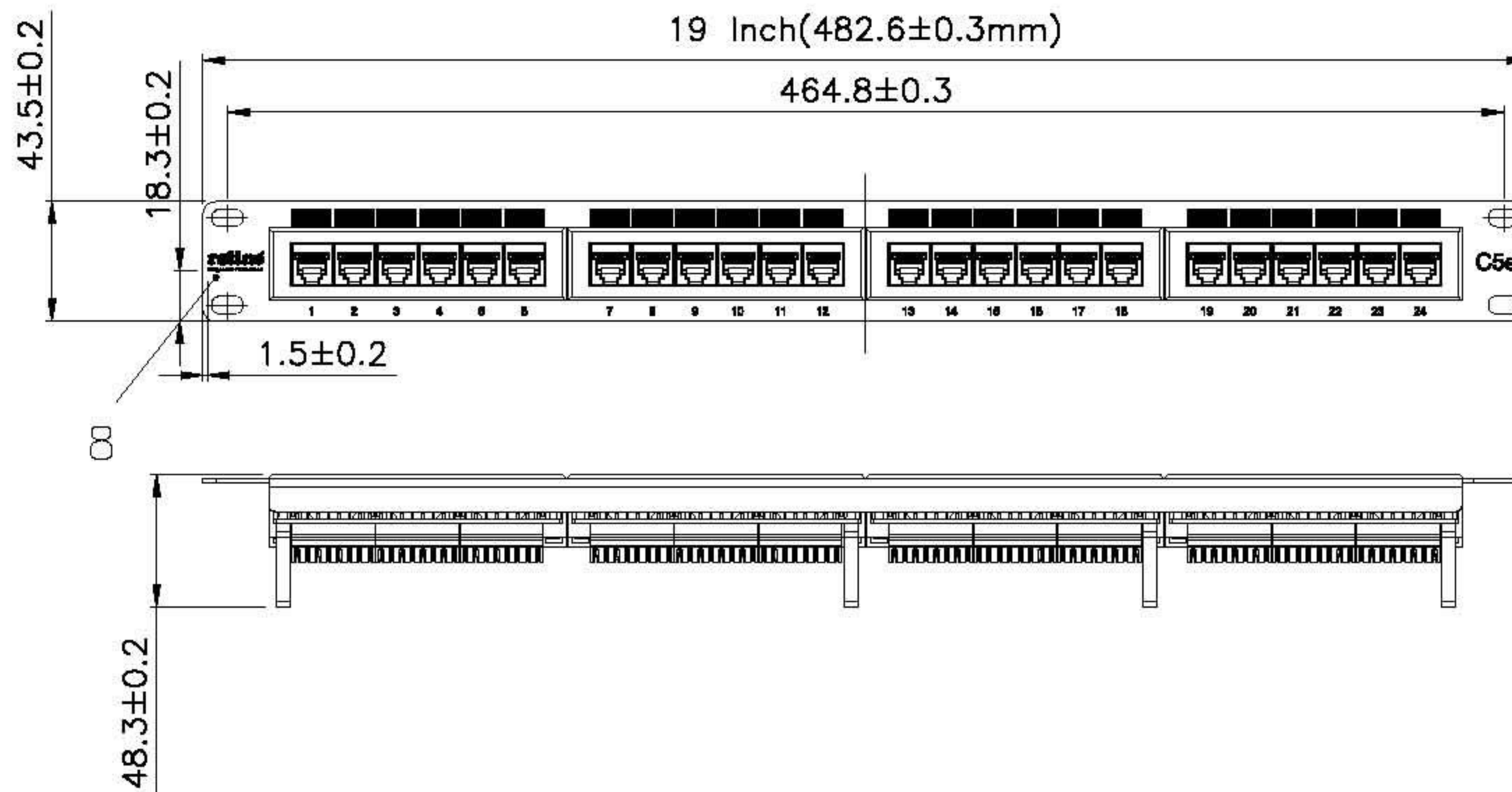
Specification :

Material :

1. Panel : SPCC, 1.5 mm thickness with Black color painted.
2. Jack Bracket Set : ABS, UL 94V-0.
3. RJ45 Jack Housing : PBT, UL 94V-0.
4. RJ45 Jack Contact material & finished
 - 4-1. Phosphor Bronze with 30-40 micro-inch Nickel plated.
 - 4-2. Contact area : Min. 3 mm 50 micro-inch Gold plated.
5. IDC Housing : Polycarbonate, UL 94V-2, 110 dual.
6. IDC Terminal material & finished :
 - 6-1. Phosphor Bronze with 50 micro-inch Tin plated.
 - 6-2. Compatible for 110 & Krone Punch tool.
 - 6-3. Use for 22-26 AWG stranded and solid wire.
7. Cable Holder : Nylon, UL 94V-0.
8. The color of the logo and number painted: Pantone 485C

Performance :

- a. The IDC color codes combine two wirings of T568A & T568B.
- b. Operation Temperature : -40°C to 80°C.
- c. Insertion Force : 900 gms for 8 contacts.
- d. Retention Strength : 7.7 kgs between Jack and Plug.
- e. Durability :
 - e-1. Jack : 750 cycles Plug-Jack mating and unmating test, insertion cycles at 20 cycles/minute max. Contact resistance test per 100 cycles.
 - e-2. IDC : Max. 200 punching times.
- f. The Cat.5e performance is in compliance with the ANSI/TIA/EIA 568 B.2 standard.



SCALE 1/1

GENERAL TOLERANCE OF DIMENSIONS X.XXX ±0.005 X.XX ±0.05 X.X ±0.1	DRAWING	19.MAR.2009	Connie	<h1>rotronic</h1>	
	CHECK	19.MAR.2009	KLi		
	APPROVAL	19.MAR.2009	Yty		
	SCALE	1/4(A4)	UNIT	mm	ITEM NO.: 26.11.0347,49
	DRAWING NO.	P24T-K11-CEC/BK(SA1)		DES.: Cat.5e UTP Patch Panel, 24 Ports	
	DRAWING CLASSIFICATION		SHEET	1 OF 1	▲A1