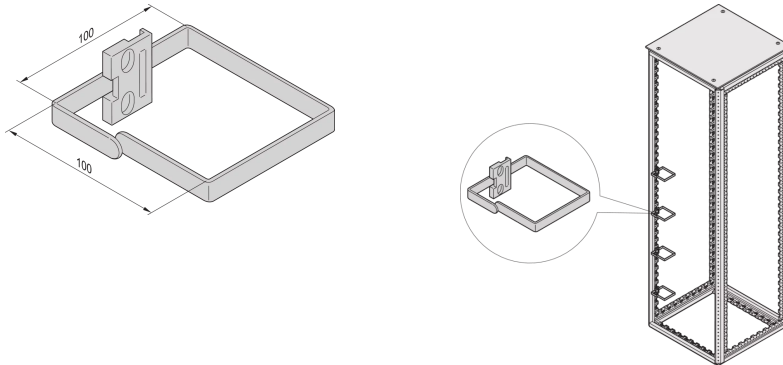


23130-341 VARISTAR CABLE EYE, STEEL, 100W 100D



KEY FEATURES

For assembly on cabinet uprights (800-mm cabinet width) or laterally to the 19" panel/slide mounts

PRODUCT ATTRIBUTES

Product Type: Cable Eye

Product Family: Varistar

Material: Steel

Width: 100 mm

Depth: 100 mm

ADDITIONAL PRODUCT DETAILS

Cable eyes for free standing racks to support vertical structured cable management along the Varistar frame uprights.

CERTIFICATIONS



North America

All locations

+1.763.422.2661

Chat with us:

schroff.nvent.com

Europe

Straubenhardt, Germany

+49.7082.794.0

Betschdorf, France

+33.3.88.90.64.90

Warsaw, Poland

+48.22.209.98.35

Assago, Italy

+39.02.932.7141

Chat with us:

schroff.nvent.com

Asia

Shanghai, China

+86.21.2412.6943

Qingdao, China

+86.532.8771.6101

Singapore

+65.6768.5800

Shin-Yokohama, Japan

+81.45.476.0271

Chat with us:

schroff.nvent.com

Middle East & India

Dubai, United Arab Emirates

+971.4.378.1700

Bangalore, India

+91.80.6715.2001

Istanbul, Turkey

+90.216.250.7374

Chat with us:

schroff.nvent.com



Our powerful portfolio of brands:
nVent.com **CADDY ERICO HOFFMAN RAYCHEM SCHROFF TRACER**

© 2023 nVent. All nVent marks and logos are owned or licensed by nVent Services GmbH or its affiliates. All other trademarks are the property of their respective owners.

nVent reserves the right to change specifications without notice.