



Datenblatt - Fiche technique - Data sheet

25.99.8200

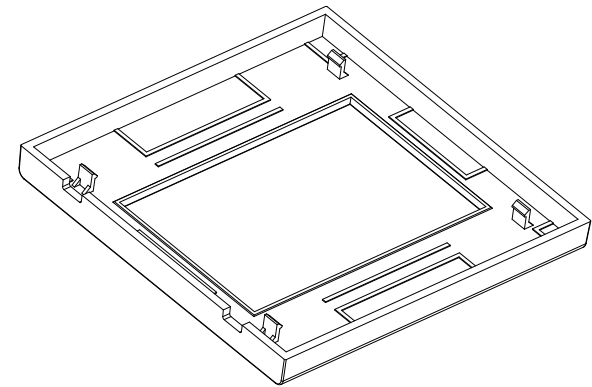
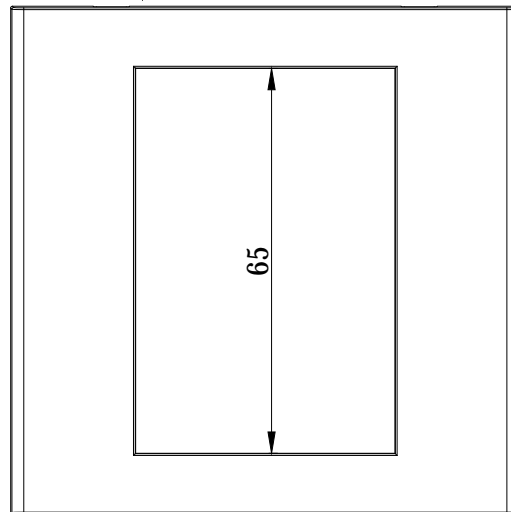
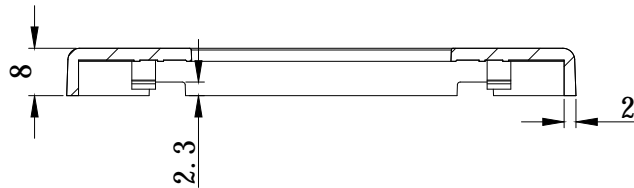
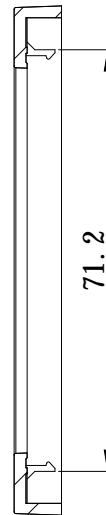
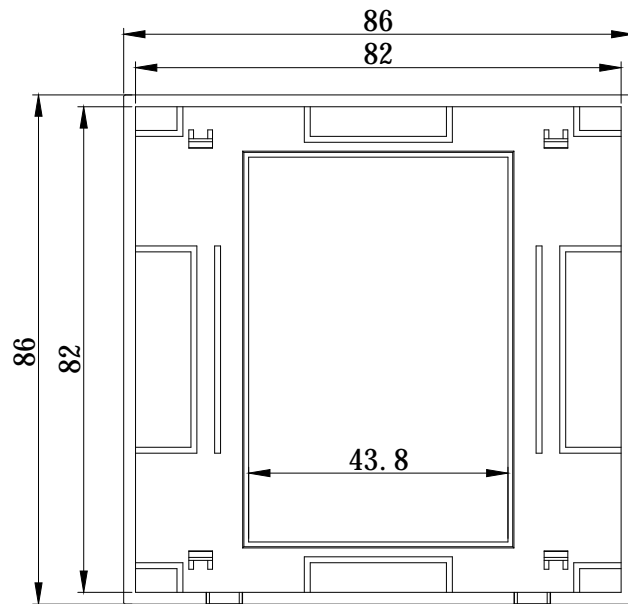


VALUE AV-Anschluss-System, Abdeckrahmen für Dose

VALUE Cadre pour boîtier AV ,86x86mm, blanc

VALUE AV Faceplate, 86x86mm, white

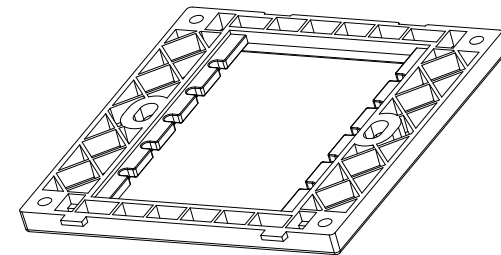
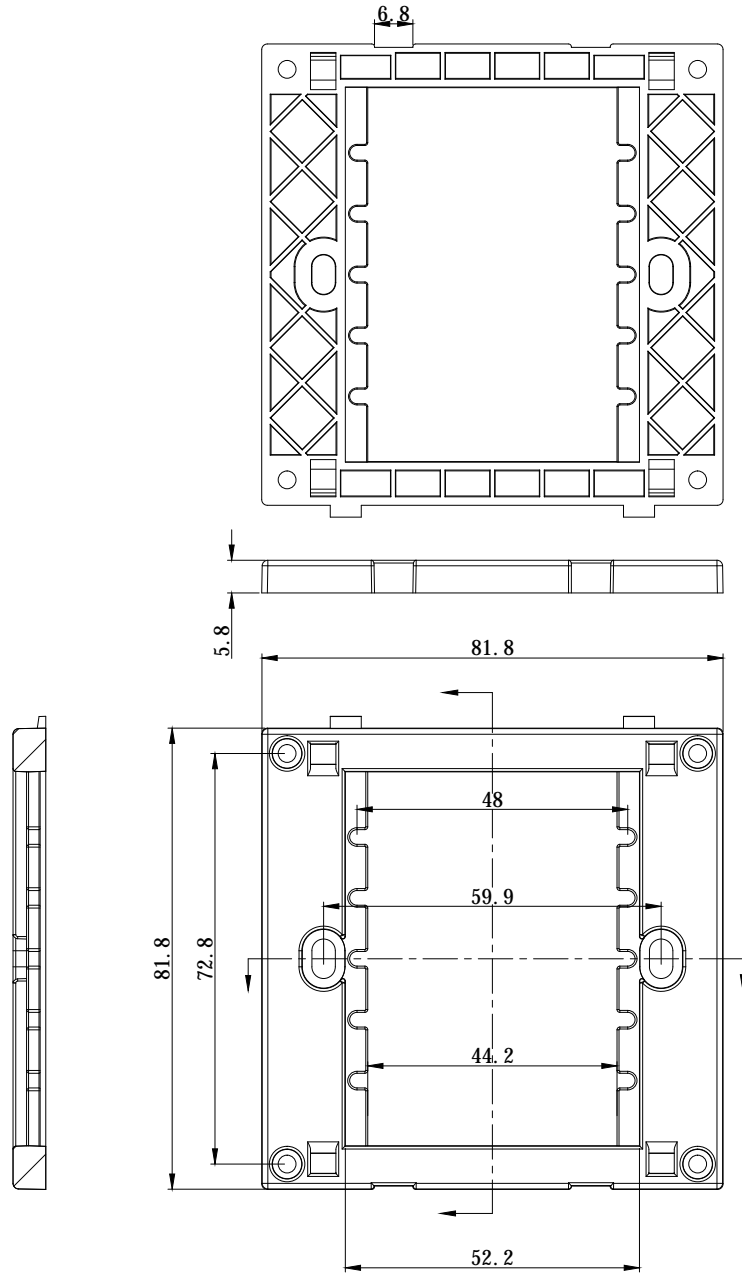
FILE AMEND NOTE	DATE	REV.
ORIGINAL EDITION	2015/07/29	A/0



NOTE:
 Material: PC
 Size: W86*H86*L8

SECOMP			
MATERIAL	PC	TOLERANCE	
ITEM No.	25.99.8200	X. ±1.00 X.X ±0.50	
VALUE A/V Faceplate, 86x86mm, white		SCALE	MM
		PAGE	1/1

FILE AMEND NOTE	DATE	REV.
ORIGINAL EDITION	2015/07/29	A/0



NOTE:
 Material: PC
 Size: L81.8*W81.8*H5.8

SECOMP

MATERIAL	PC	TOLERANCE	
ITEM No.	25.99.8200	X. ±1.00 X.X ±0.50	
VALUE A/V Faceplate, 86x86mm, white		SCALE	MM
		PAGE	1/1

