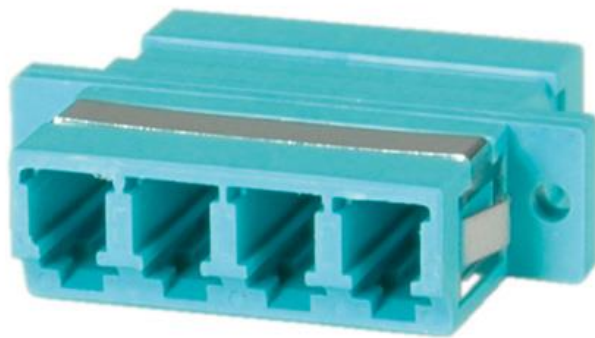




Datenblatt - Fiche technique - Data sheet

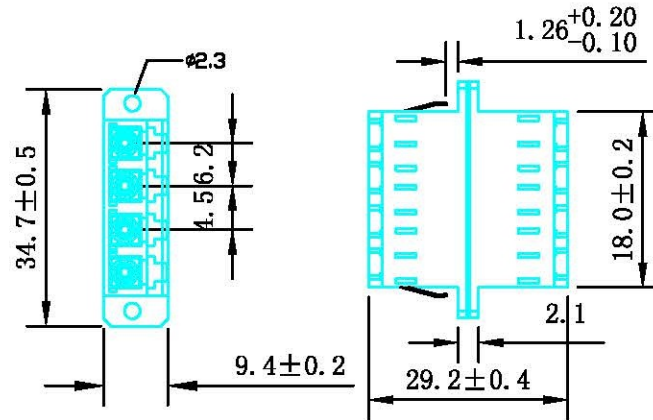
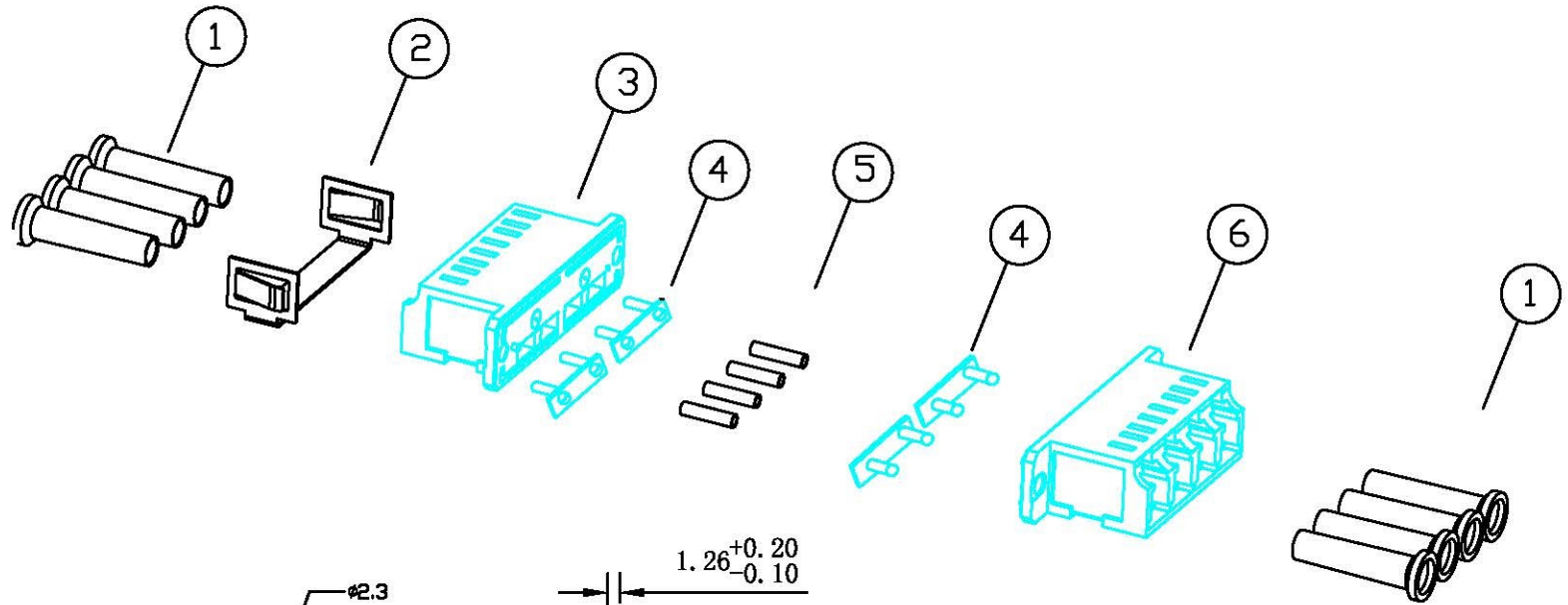
**21.99.0660**



VALUE LWL-Kupplung LC vierfach, OM3, PB

VALUE Coupleur FO LC quadruple, OM3, PB

VALUE Fibre Optic Adapter LC quadruple, OM3, PB



**NOTE:**

RoHS & REACH Compliant

Insertion Loss (dB)	≤ 0.30
Operating Temperature (° C)	-40 ~ +85
Storage Temperature (° C)	-40 ~ +85

**MATERIAL LIST:**

⑥	LC Aqua Body Quad (SC Duplex footprint)	1pcs	
⑤	LC Sleeve ceramic (Multi-Mode) OM3	4pcs	
④	Aqua bush	4PCS	
③	LC Aqua Body Quad (SC Duplex footprint)	1pcs	
②	Metal Mount	1pcs	
①	LC White Dustcap	8pcs	
NO.	SPECIFICATION STANDARD	QT' Y	REMARK

VALUE Fiber Optic Adapter, , LC Quad, Multimode, OM3, Aqua color	
Item No.	21.99.0660

NEW				UNIT	MM	<b>rotronic</b>			
REVISION RECORD MODIFICATIONS				2013-08-30	A				
BY	CHK			DATE	REV.	DRAWNBY	CHECKBY	APPOBY	DATE
									2013-08-30