



Datenblatt - Fiche technique - Data sheet

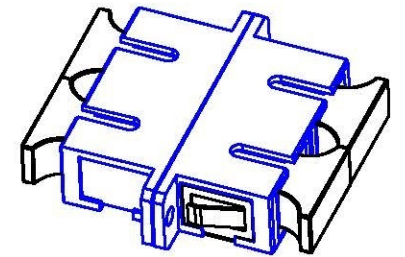
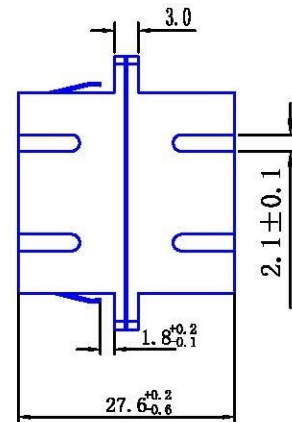
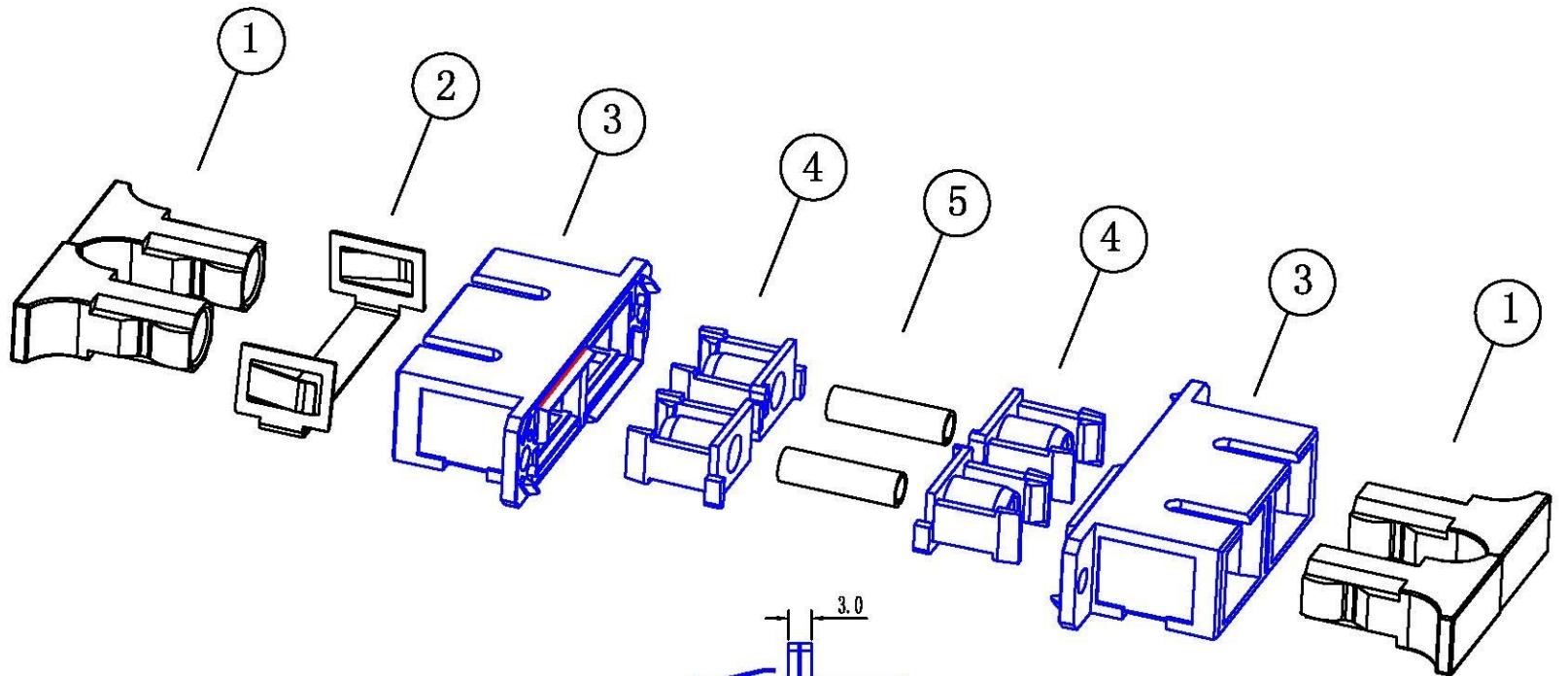
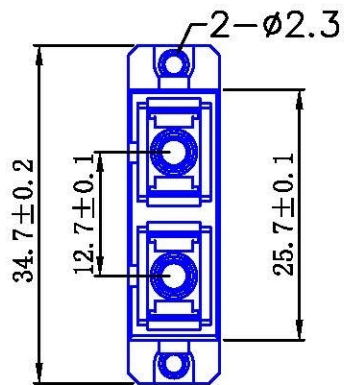
**21.99.0657**



VALUE LWL-Kupplung SC/SC duplex, OS2, Z

VALUE Coupleur optique SC/SC duplex, OS2, Z

VALUE Fibre Optic Adapter SC/SC Duplex, OS2, Z



NOTE:  
RoHS & REACH Compliant

Insertion Loss (dB)	≤ 0.30
Operating Temperature (° C)	-40 ~ +85
Storage Temperature (° C)	-40 ~ +85

**MATERIAL LIST:**

⑤	SC (ceramic) Sleeve (Single-Mode) Duplex	2pcs	
④	Blue Bush	4pcs	
③	Blue Body	2pcs	
②	Metal Mount	1pcs	
①	Black Dust cap	4pcs	
NO.	SPECIFICATION STANDARD	QT' Y	REMARK

VALUE Fiber Optic Adapter, SC type, Duplex, Singlemode, blue color			
Item No.	21.99.0657		

			UNIT	MM	<b>rotronic</b>			
		NEW	2013-08-30	A	DRAWNBY	CHECKBY	APPOBY	DATE
BY	CHK	REVISION RECORD MODIFICATIONS	DATE	REV.	FERGUS	ALVAN		2013-08-30