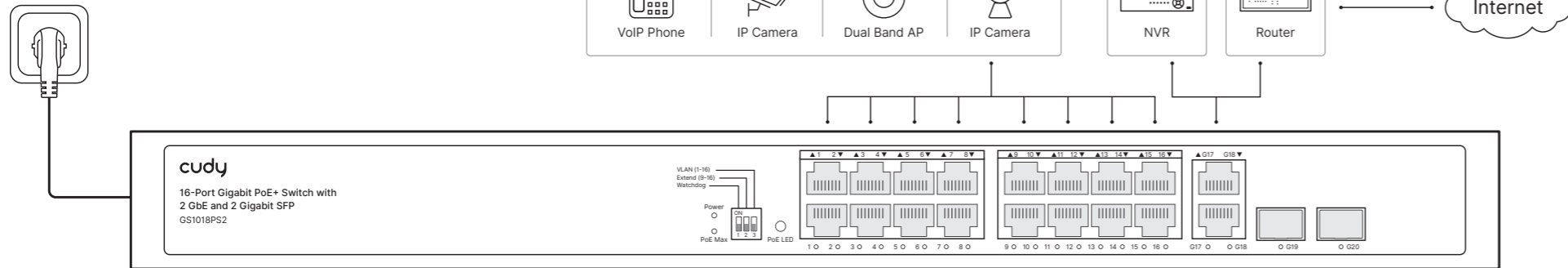


1 Hardware Connection

Power Socket



GS1018PS2 for illustration

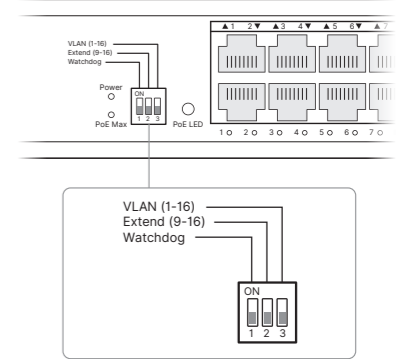
2 LEDs & Button

Note:
 1. PoE ports can connect to non-PoE devices as well, but will only transmit data.
 2. Here we take GS1018PS2 for example. Your actual product may differ.

Power	Off	Power off
	On	Power on
PoE MaX	Off	Total PoE budget < 90%
	Flash	90% ≤ Total PoE budget ≤ 95%
	On	Total PoE budget > 95%
Link/Data	Off	No link
	Flash	Data transmitting
	On	Link but no activity
* GS1020PS2 LED 1-18 / GS1028PS2 LED 1-28 / FS1026PS1 LED 25-26 / GS1018PS2 LED 17-18 / GS1026PS2 LED 25-26 : Green for 1000Mbps Link/Data, Amber for 10/100Mbps Link/Data.		
PoE (For GS1020PS2/ GS1028PS2)	Off	No PoE Power Supply
	On	PoE Power Supply
PoE LED Button (For GS1018PS2/ GS1026PS2)	Press to switch LED indication between Link/Data and PoE. * GS1018PS2 LED 1-16 & GS1026PS2 LED 1-24: Green for Link/Data status, Amber for PoE status.	

3 DIP Explanation

GS1018PS2 for illustration



VLAN: Disabled by default. Switch ON to have the specified downlink ports isolated from each other, and only transmit data with the rest ports.

Extend: Disabled by default. Switch ON to enable the specified ports to achieve a maximum transmission distance of 250meters, with speed capped at 10 Mbps.

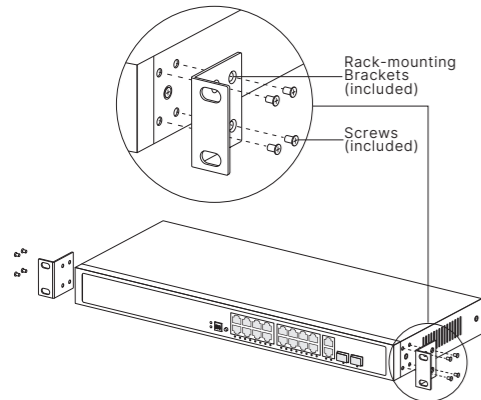
Watchdog: Disabled by default. Switch ON to enable PoE Watchdog function.

4 Rack Installation

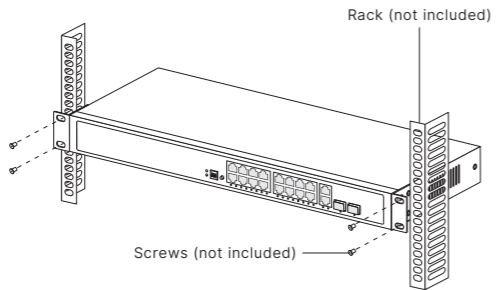
To install the switch in an EIA standard-sized 19-inch rack, follow the steps below:

(Here we take GS1018PS2 for illustration. Your actual product may differ.)

1. Check the efficiency of the grounding system and the stability of the rack.
2. Secure the rack-mounting brackets to the Switch with screws, as illustrated below.



3. Secure the brackets to the rack with suitable screws, as illustrated below.



Caution:

- Leave 5 to 10 cm gaps around the devices for air circulation.
- Avoid placing heavy things on the device.
- Mount devices in sequence from the bottom to top of the rack and ensure a certain clearance between devices for the purpose of heat dissipation.

5 Specifications

Model	FS1018PS1/FS1026PS1/GS1018PS2/ GS1020PS2/GS1026PS2/GS1028PS2
Standard	IEEE 802.3i 10BASE-T IEEE 802.3u 100BASE-TX IEEE 802.3ab 1000BASE-T IEEE 802.3z 1000BASE-X IEEE 802.3x Flow Control IEEE 802.3af/at PoE
Fan	Only for FS1026PS1, GS1026PS2, GS1028PS2
Interface	For FS1018PS1: 16* 10/100Mbps RJ45 ports, Auto-Negotiation MDI/MDIX 2* 10/100/1000Mbps RJ45 ports, Auto-Negotiation MDI/MDIX PoE ports: Port 1-16 1* SFP Port For FS1026PS1: 24* 10/100Mbps RJ45 ports, Auto-Negotiation MDI/MDIX 2* 10/100/1000Mbps RJ45 ports, Auto-Negotiation MDI/MDIX PoE ports: Port 1-24 1* Gigabit SFP Port For GS1018PS2: 18* 10/100/1000Mbps RJ45 ports,

	Auto-Negotiation MDI/MDIX PoE ports: Port 1-16 2* Gigabit SFP Port
	For GS1020PS2: 16* 10/100/1000Mbps RJ45 ports, Auto-Negotiation MDI/MDIX PoE ports: Port 1-16 2* Gigabit SFP Port
	For GS1026PS2: 26* 10/100/1000Mbps RJ45 ports, Auto-Negotiation MDI/MDIX PoE ports: Port 1-24 2* Gigabit SFP Port
	For GS1028PS2: 26* 10/100/1000Mbps RJ45 ports, Auto-Negotiation MDI/MDIX PoE ports: Port 1-24 2* Gigabit SFP Port 2* Combo Port (2GbE+2SFP)
	Note: 1. Gigabit SFP Ports need to work with gigabit SFP modules. 2. GbE and SFP ports in Combo cannot be used simultaneously.
Network Media (Cable)	Cat. 3 or higher cable: 100 meters at 10 Mbps Cat. 5 or higher cable: 100 meters at 100 Mbps Cat. 5e or higher cable: 100 meters at Gigabit

	Cat. 5e or higher cable: 250 meters at 10 Mbps
Power Input	For FS1018PS1: 100-240VAC 50/60Hz 6A For GS1018PS2/GS1020PS2: 100-240VAC 50/60Hz 4A For FS1026PS1/GS1026PS2/GS1028PS2: 100-240VAC 50/60Hz 5A
Power Supply	FS1018PS1: 170W GS1018PS2/GS1020PS2: 200W FS1026PS1/GS1026PS2/GS1028PS2: 300W
Power Budget	• FS1018PS1: 160W Max • FS1026PS1: 290W Max • GS1018PS2: 182W Max • GS1020PS2: 185W Max • GS1026PS2: 280W Max • GS1028PS2: 280W Max
Installation	• Desktop • Rackmount via Brackets

EU declaration of conformity

Cudy hereby declares that this device is in compliance with the essential requirements and other relevant provisions of directives 2014/30/EU, 2014/35/EU, (EU)2015/863 and 2011/65/EU.

The original EU declaration of conformity may be found at <http://www.cudy.com/ce>.



cudy

Quick Installation Guide

Unmanaged PoE Switch

Model: GS1018PS2 | GS1020PS2 | GS1026PS2 | GS1028PS2 | FS1018PS1 | FS1026PS1

NEED TECH HELP?

www.cudy.com

support@cudy.com

810600372