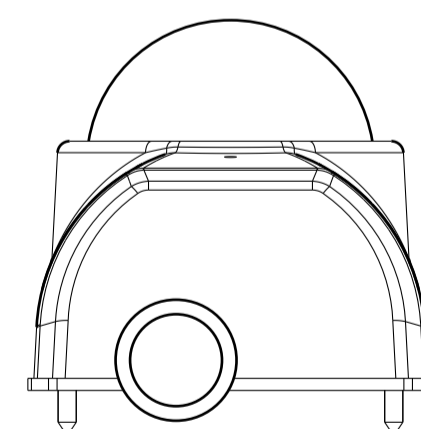
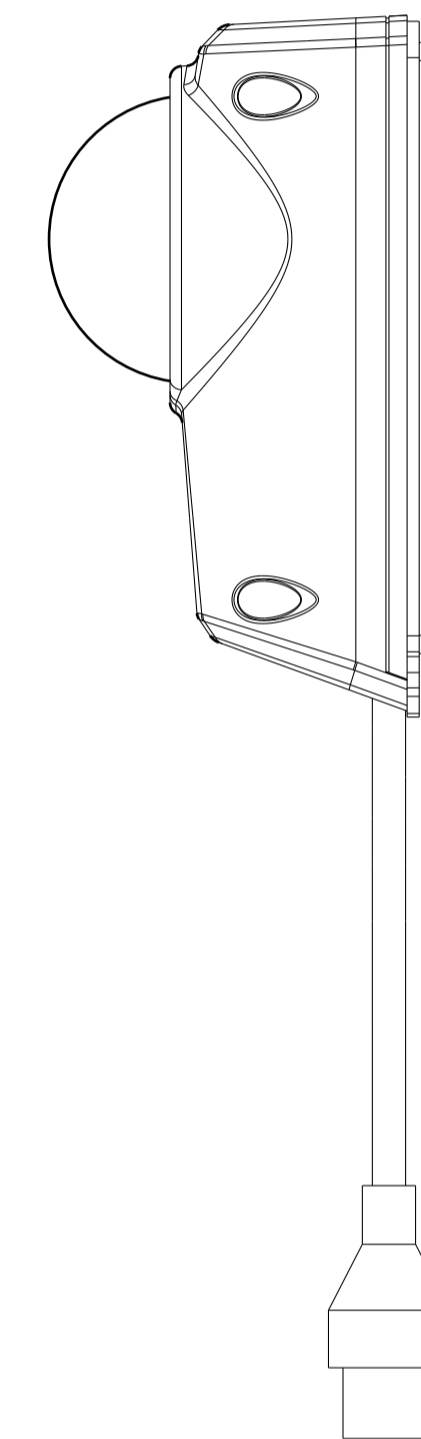
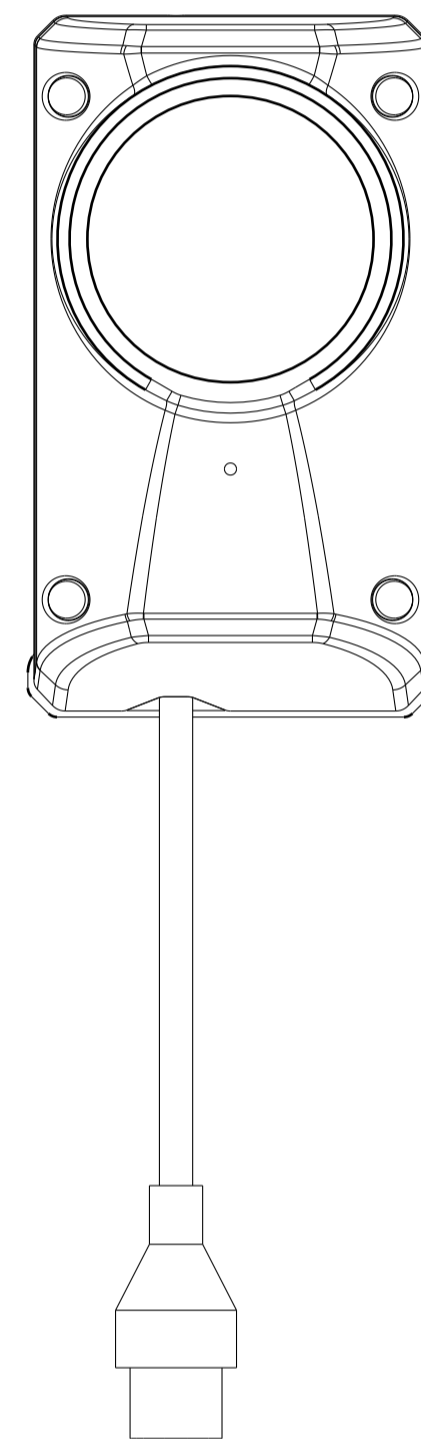
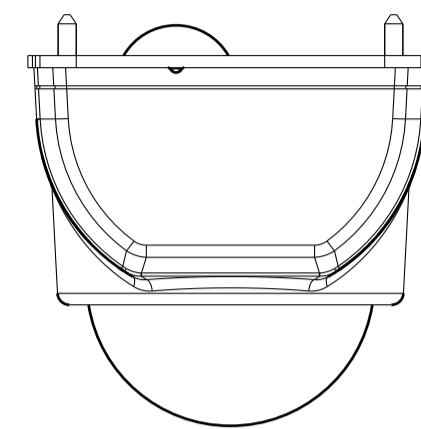
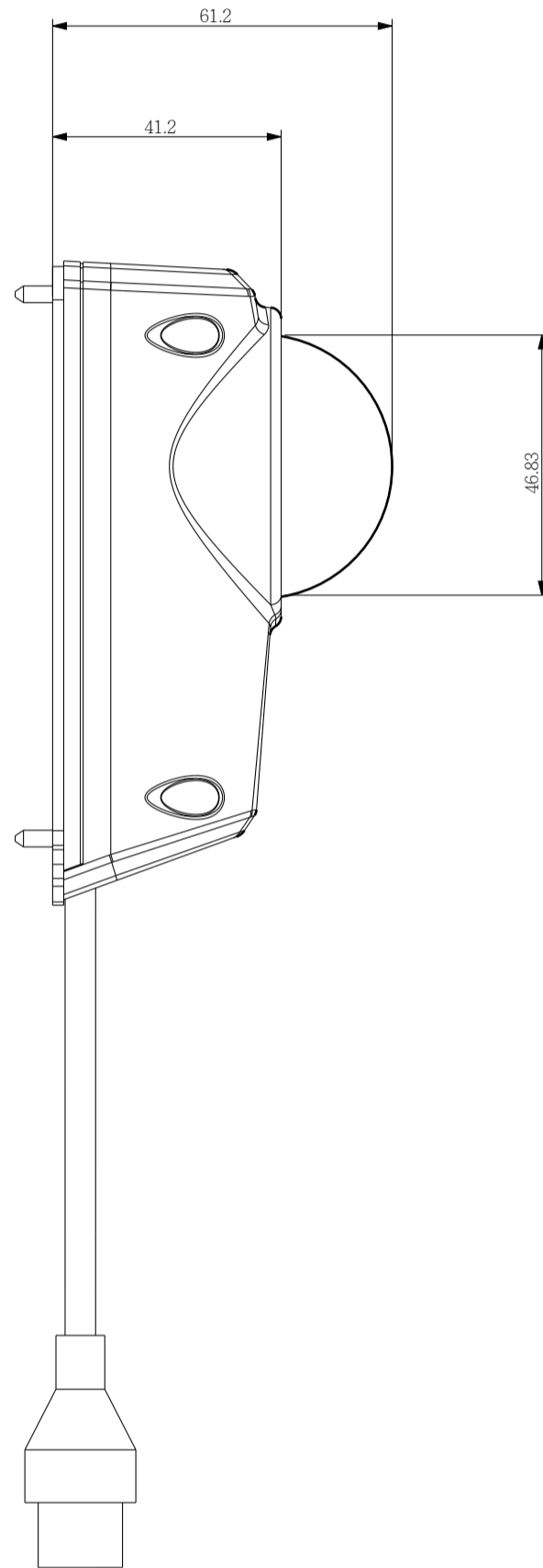
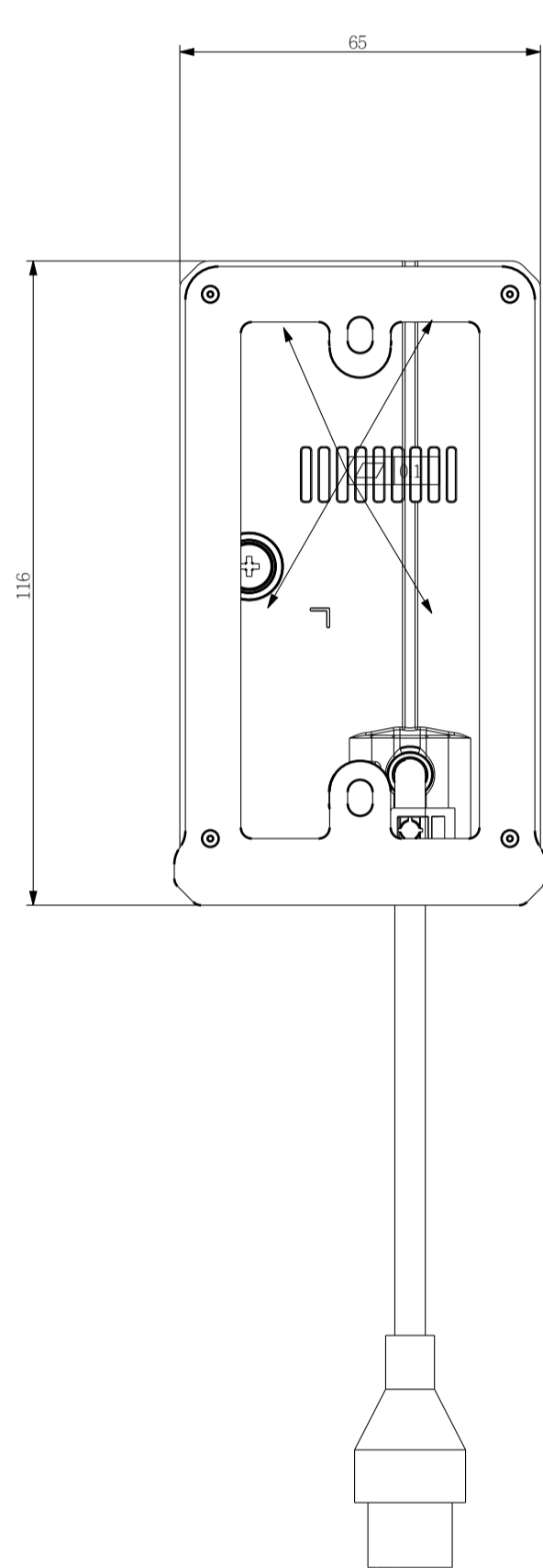


| REVISIONS | | | | |
|-----------|-------------|----------|---------|-----------|
| REV | DESCRIPTION | ENGINEER | REQUIRE | DATE |
| 1.0 | New Edition | | | 05-May-16 |
| | | | | |
| | | | | |
| | | | | |
| | | | | |



UNLESS OTHERWISE SPECIFIED
ALL DIMENSIONS ARE IN mm

TOLERANCE ON:
 LINEAR :<30 ± 0.10
 30-50 ± 0.15
 50-100 ± 0.18
 100-200 ± 0.20
 200-300 ± 0.25
 >300 ± 0.30

ANGULAR: X ± 1°
 X.X ± 0.5°



THIS DRAWING ON THIS PRINT AND INFORMATION
THEREWITH ARE PROPRIETARY TO VIVOTEK INC.
AND SHALL NOT BE USED OR DISCUSSED IN WHOLE
OR IN PART WITHOUT VIVOTEK'S CONSENT.

WI-RD-03-01-4

| PART NO. | | MODEL | | | |
|----------|------|---------------------------------|-----------|----------|--------|
| ENGR | | DRAWING TITLE | | | |
| DRN | | 6-VIEW | | | |
| CHK | | DRAWING NO. FORM-V02_2014-12-16 | | | |
| APRV | | ISSUE DATE | 05-May-16 | REVISION | 1.0 |
| M'TL | | SCALE | 4:5 | UNIT | mm |
| FINISH | 第三角法 | SIZE | A1 | SHEET | 1 OF 1 |