

# SBL 18-12i (12V 18Ah)

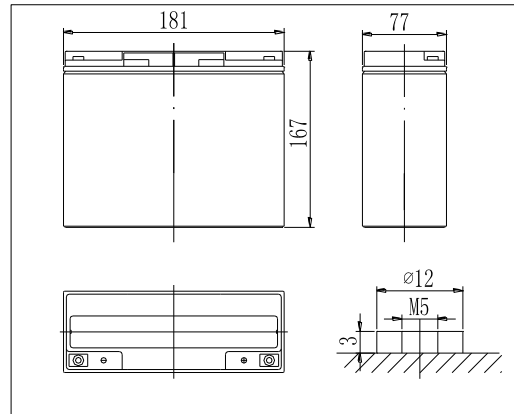
High Performance battery with 10-12 years design life (EUROBAT)

Status: 01-2016

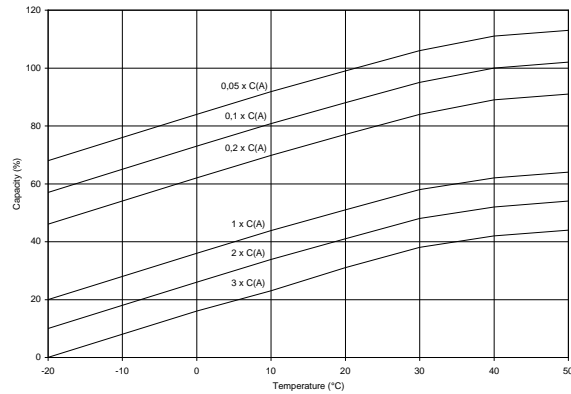
## Specifications

Nominal Voltage		12V
Capacity (20hr@25°C@1.75V/C)		18.5Ah
Dimensions	Length	181mm (7.13inch)
	Width	77mm (3.03inch)
	Height	167mm (6.57inch)
	Total Height	167mm (6.57inch)
Approx. Weight		5.2 kg (11.46 lbs)
Maximum charging current		5.4A
Maximum discharge current		270A (5sec.)
Internal resistance (Fully charged, 25°C)		Approx. 17mΩ
Capacity affected by temperature (10hr)	40°C	102%
	25°C	100%
	0°C	85%
	-15°C	65%
Self-discharge (25°C)	3 month	Remaining Capacity: 91%
	6 month	Remaining Capacity: 82%
	12 month	Remaining Capacity: 65%
Nominal operating temperature		20°C (68°F)
Operating temperature range		-15°C ~ 50°C (5°F ~ 122°F)
Float charging voltage (25°C)		13.65 to 13.80V
Cyclic charging voltage (25°C)		14.50 to 14.90V
Absorbent glass mat technology		
ABS (UL94-HB) container		<b>Recognized by UL &amp; CE</b>

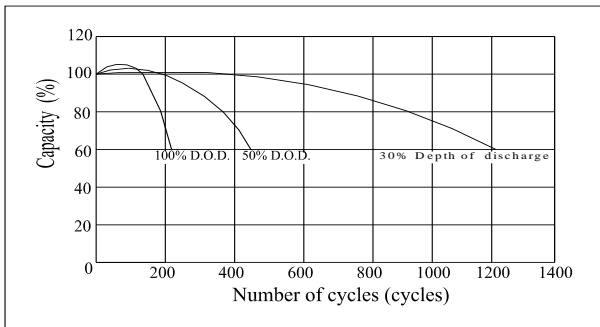
## Dimensions



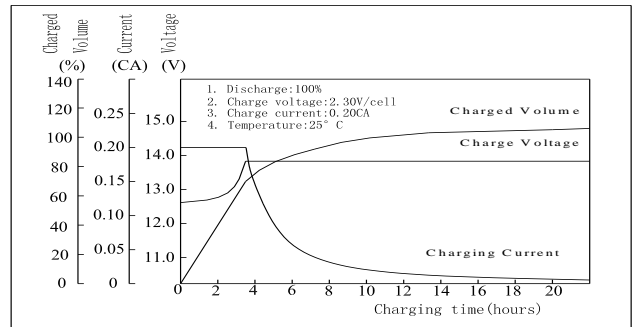
## Temperature Effects in Relation to Battery Capacity



## Cycle Life (25°C)



## Charging Characteristics (25°C)



## Constant Current Discharge Characteristics (Ampere per Battery, 25°C)

F.V./TIME	10min	15min	30min	1h	2h	3h	4h	5h	8h	10h	20h
9.60V	47.99	37.61	21.11	12.55	7.226	4.910	3.929	3.263	2.078	1.799	1.010
10.0V	46.79	36.41	20.84	12.20	7.080	4.820	3.875	3.208	2.070	1.781	0.973
10.2V	44.47	35.40	20.53	12.09	7.005	4.777	3.837	3.173	2.051	1.754	0.955
10.5V	41.58	33.39	19.96	11.85	6.914	4.734	3.800	3.135	2.033	1.745	0.925
10.8V	38.78	31.50	19.30	11.64	6.857	4.679	3.781	3.102	2.025	1.716	0.873

## Constant Power Discharge Characteristics (Watt per Battery, 25°C)

F.V./TIME	10min	15min	30min	1h	2h	3h	4h	5h	8h	10h	20h
9.60V	510.4	402.7	241.7	145.7	84.30	57.40	46.50	38.63	24.89	21.56	12.10
10.0V	499.8	396.9	239.2	143.5	83.58	57.28	46.39	38.43	24.79	21.35	11.67
10.2V	480.0	391.7	237.1	142.5	83.05	57.07	46.01	38.06	24.60	21.15	11.46
10.5V	460.2	371.3	232.3	140.6	82.38	56.83	45.59	37.61	24.40	20.93	11.13
10.8V	430.5	350.8	226.8	138.3	81.70	56.17	45.42	37.22	24.29	20.61	10.49

All mentioned values are average values.