

Performance X Series

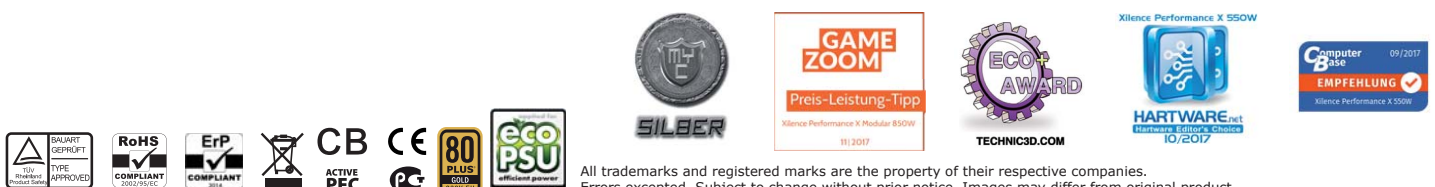
Power Supplies 550W / 650W / 750W / 850W / 1050W / 1250W

Launching the Performance X model line, Xilence is extending the already favorable portfolio of power supply units. Following the ErP2014 conform entry-level models and the successful Performance A+ Series, the next step is made into the 80+ GOLD class. The PSUs score not only with the up-to-date DC/DC technology which guarantees an all-time stable output voltage. Moreover, resonant converters help avoiding switchig losses. Thus, energy is saved and the efficiency increased. The dynamic hydro-bearing fans work in an especially sooth and silent way. Furthermore, the PSUs win over thanks to an extremely long life period and their excellent cooling performance. All of those specifications together with being powerful in quality/price ratio turn the Performance X Series into an ideal solution for current Gaming PC Systems.



Product Features

	550 Watt	650 Watt	750 Watt	850 Watt	1050 Watt	1250 Watt
Fan Size	120mm	120mm	140mm	140mm	140mm	140mm
Measurements [H/W/D]	86 x 150 x 160mm	86 x 150 x 160mm	86 x 150 x 160mm	86 x 150 x 160mm	86 x 150 x 180mm	86 x 150 x 180mm
Cablemanagement	no	no	semi-modular	semi-modular	full-modular	full-modular
Cable/Sleeves black	✓	✓	✓	✓	✓	✓
ATX 20+4 PIN	✓	✓	✓	✓	✓	✓
ATX 12V CPU P4+4	1	1	1	1	1	1
ATX 12V CPU P8	-	1	1	1	1	1
SATA	6	6	8	8	12	12
PCI-E (6+2 Pin)	2	2	3	3	4	4
HDD	3	3	4	4	4	4
Safty Circuit [OVP, UVP, OCP, OTP, SCP, OLP]	✓	✓	✓	✓	✓	✓
EcoPSU certificate	✓	✓	✓	✓	✓	✓
80+ certificate	80+ GOLD	80+ GOLD	80+ GOLD	80+ GOLD	80+ GOLD	80+ GOLD
ErP2014	✓	✓	✓	✓	✓	✓
ATX form	2.4	2.4	2.4	2.4	2.4	2.4
PFC	active	active	active	active	active	active

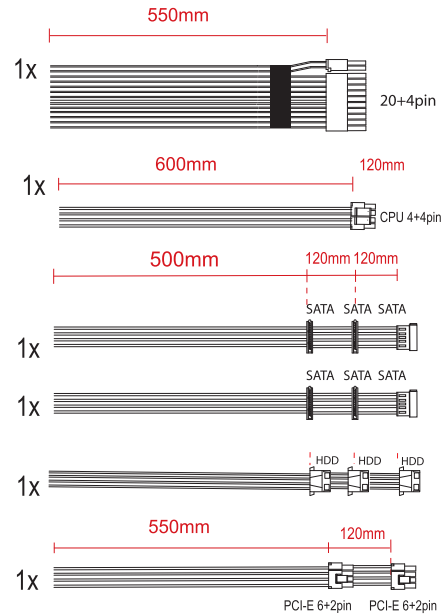


All trademarks and registered marks are the property of their respective companies. Errors excepted. Subject to change without prior notice. Images may differ from original product.

Performance X Series

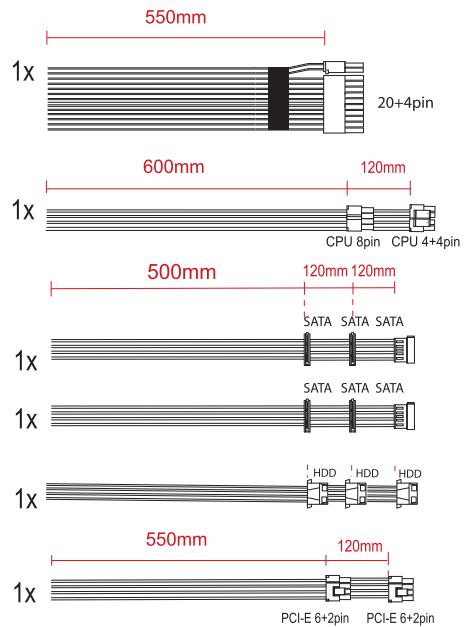
Technical Data | 550W | non-modular

	AC INPUT	DC OUTPUT
XP550R9	200V - 240V	+ 3.3V 20.0A
		+ 5.0V 20.0A
		+ 12.0V 45.8A
		- 12.0V 0.3A
		+ 5.0VSB 3.0A
Efficiencies		10% > 85%
		20% > 90%
		50% > 92%
		100% > 89%
Noise Level		20% ~ 16 db(A)
		50% ~ 16 db(A)
		100% ~ 23 db(A)



Technical Data | 650W | non-modular

	AC INPUT	DC OUTPUT
XP650R9	200 - 240V	+ 3.3V 20.0A
		+ 5.0V 20.0A
		+ 12.0V 54.1A
		- 12.0V 0.3A
		+ 5.0VSB 3A
Efficiencies		10% > 85%
		20% > 90%
		50% > 92%
		100% > 89%
Noise Level		20% ~ 16 db(A)
		50% ~ 17 db(A)
		100% ~ 25 db(A)

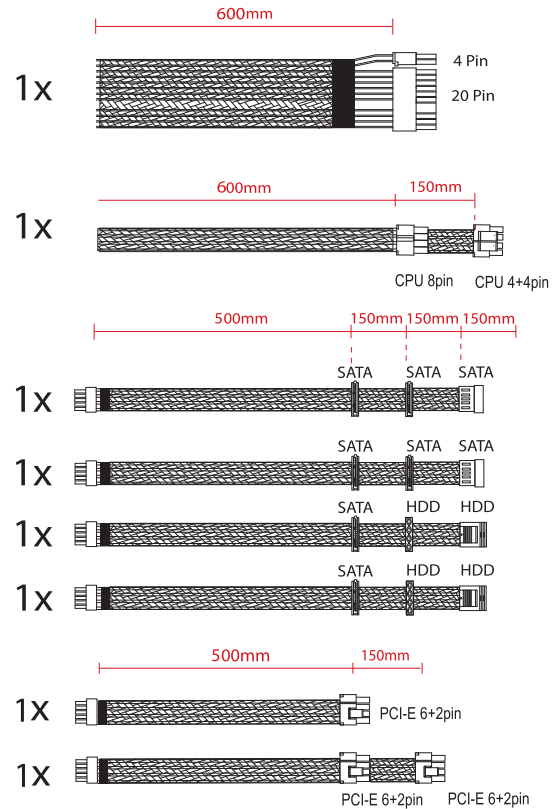


All trademarks and registered marks are the property of their respective companies. Errors excepted. Subject to change without prior notice. Images may differ from original product.

Performance X Series

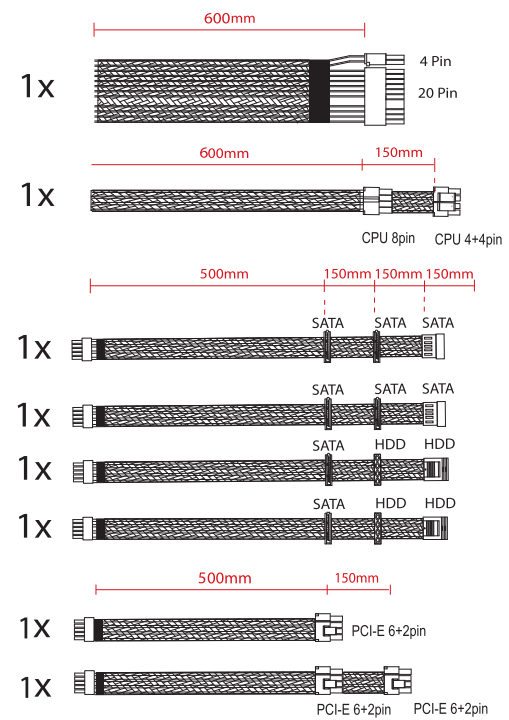
Technical Data | 750W | semi-modular

	AC INPUT	DC OUTPUT	
XP750MR9	200 - 240V	+ 3.3V	20.0A
		+ 5.0V	20.0A
		+ 12.0V	62.5A
		- 12.0V	0.3A
		+ 5.0VSB	3A
Efficiencies		10%	> 85%
		20%	> 90%
		50%	> 92%
		100%	> 89%
Noise Level		20%	~ 17 db(A)
		50%	~ 18 db(A)
		100%	~ 27 db(A)



Technical Data | 850W | semi-modular

	AC INPUT	DC OUTPUT	
XP850MR9	200 - 240V	+ 3.3V	20.0A
		+ 5.0V	20.0A
		+ 12.0V	70.8A
		- 12.0V	0.3A
		+ 5.0VSB	3A
Efficiencies		10%	> 85%
		20%	> 90%
		50%	> 92%
		100%	> 89%
Noise Level		20%	~ 17 db(A)
		50%	~ 18 db(A)
		100%	~ 29 db(A)

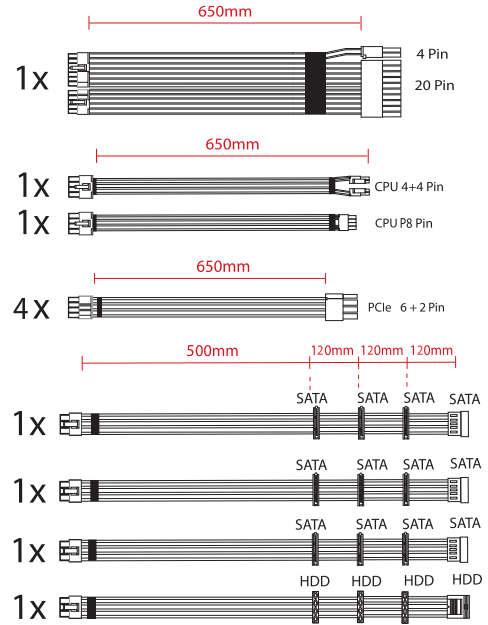


All trademarks and registered marks are the property of their respective companies. Errors excepted. Subject to change without prior notice. Images may differ from original product.

Performance X Series

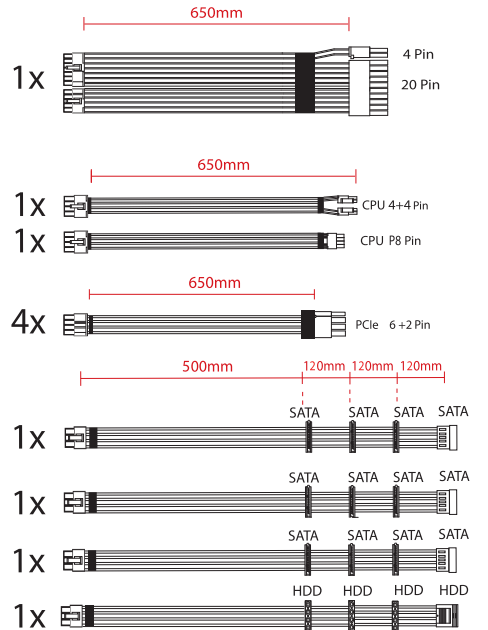
Technical Data | 1050W | full-modular

	AC INPUT	DC OUTPUT
XP1050MR9	100 - 240V	+ 3.3V 20.0A
		+ 5.0V 20.0A
		+ 12.0V 87.5A
		- 12.0V 0.3A
		+ 5.0VSB 3.0A
Efficiencies		10% > 85%
		20% > 90%
		50% > 92%
		100% > 89%
Noise Level		20% ~ 18 db(A)
		50% ~ 19 db(A)
		100% ~ 31 db(A)



Technical Data | 1250W | full-modular

	AC INPUT	DC OUTPUT
XP1250MR9	100 - 240V	+ 3.3V 20.0A
		+ 5.0V 20.0A
		+ 12.0V 104.1A
		- 12.0V 0.3A
		+ 5.0VSB 3.0A
Efficiencies		10% > 85%
		20% > 90%
		50% > 92%
		100% > 89%
Noise Level		20% ~ 19 db(A)
		50% ~ 20 db(A)
		100% ~ 31 db(A)



Logistical Data

Manufacturer Number	XP550R9	XP650R9	XP750MR9	XP850MR9	XP1050MR9	XP1250MR9
Item Number	XN071	XN072	XN073	XN074	XN076	XN078
EAN Barcode	4044953500664	4044953500671	4044953500688	4044953500695	4044953501302	4044953501326



All trademarks and registered marks are the property of their respective companies. Errors excepted. Subject to change without prior notice. Images may differ from original product..