

4 x 4 / 8 x 8 HDMI Matrix Switch with Scaler

VM5404HA / VM5808HA

The 4 x 4 / 8 x 8 HDMI Matrix Switch allows any of the 4 / 8 HDMI input signals to be routed to any of the 4 / 8 HDMI output channels with no compromise on flexibility. Multiple methods are available when it comes to controlling the device, such as through the front panel pushbuttons, RS-232, and Ethernet (Telnet / Web GUI) connections. Plus, the VM5404HA / VM5808HA supports ATEN Video Matrix Control app for device status viewing and controlling. It can also be integrated with ATEN Control System, a platform where Ethernet-based ATEN Video Matrix Switches and third-party devices (such as projectors, lights, AV devices) are centrally monitored, managed, and controlled. Signal management is made efficient with the front panel LCD, giving users a quick view of all port connections. In addition, the local HDMI output port allows real-time monitoring of multiple sources on a single display exactly where the Matrix Switch is located.

As the ultimate video wall solution, the FPGA-based VM5404HA / VM5808HA features ATEN's exclusive Seamless Switch technology, ensuring uninterrupted video streams, real-time control, and stable signal transmission. The built-in scaler automatically scales any input video feed to match the native resolution of the output display for the best video and picture quality. To prevent screen tearing, the VM5404HA / VM5808HA adopts FrameSync technology to synchronize the scaler output frame rates to the input signal frame rates, guaranteeing stunning tear-free video walls.

Speaking of audio functionality, the Matrix Switch features audio de-embedding, enabling digital audio from any HDMI input to be assigned to the stereo output for added flexibility of installation. The VM5404HA / VM5808HA is an HDMI video routing solution ideal for scenarios where customizable, real-time AV signal transportation from multiple sources to one or more destinations is required, from control centers, server rooms, to any kind of video wall applications.

HDMI™
HIGH-DEFINITION MULTIMEDIA INTERFACE



VM5404HA Front View



VM5808HA Front View



VM5404HA Rear View



VM5808HA Rear View

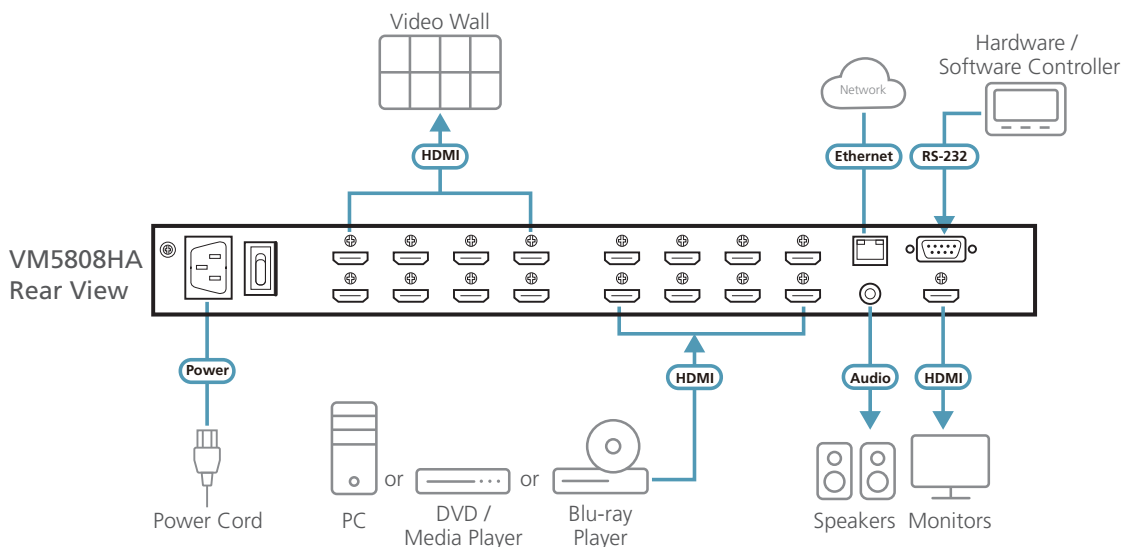


Features

- Routes any of 4 / 8 HDMI sources to any of 4 / 8 HDMI displays
- Local HDMI output – enables previewing of up to 4 / 8 video sources in a multi-view window
- Multiple system configuration methods including front panel pushbuttons / RS-232 / Ethernet (Telnet / Web GUI) connection, ATEN Video Matrix Control app, and ATEN Control System
- Device status can be viewed and controlled via ATEN Video Matrix Control App
- Video Wall functionality via intuitive web GUI* allows for customization of up to 8 / 16 layouts for any type of video walls
- Built-in scaler automatically converts input resolutions for optimal appearance on the display
- FrameSync – prevents image tearing by synchronizing the scaler output frame rate to the input signal frame rate
- ATEN Seamless Switch technology* – adopts FPGA to unify video formats so as to provide continuous video streams, real-time switching, and stable signal transmission
- EDID Expert – selects optimum EDID settings for smooth power-up, high-quality display, and use of the best resolution across different screens
- Audio enabled; HDMI audio can be extracted to stereo audio
- HDMI (3D, Deep color); HDCP 1.4
- Supports Dolby True HD and DTS HD Master audio
- Supports Consumer Electronics Control (CEC)
- ESD protection for HDMI
- Firmware upgradeable
- Rack mountable (1U design)

*Note:

1. If Seamless Switching is enabled, the video output will not display 3D, Deep Color or interlace (i.e., 1080i) resolutions. To make these features available, disabling Seamless Switching is a must.
2. Videos may not display within range when Seamless Switch or Video Wall is enabled, in which case please adjust the display settings on your device.



Specifications

	VM5404HA	VM5808HA
Video Input		
Interfaces	4 x HDMI Type A Female (Black)	8 x HDMI Type A Female (Black)
Impedance	100 Ω	
Max. Distance	5.0 m	
Video Output		
Interfaces	4 x HDMI Type A Female (Black) (Array Mode): 1 x HDMI Type A Female (Black)	8 x HDMI Type A Female (Black) (Array Mode): 1 x HDMI Type A Female (Black)
Impedance	100 Ω	
Max. Distance	15 m	
Video		
Max. Data Rate	6.75 Gbps (2.25 Gbps Per Lane)	
Max. Pixel Clock	225 MHz	
Compliance	HDMI (3D, Deep Color) HDCP 1.4 Compatible Consumer Electronics Control (CEC)	
Max. Resolution	Up to 1080p	
Max. Distance	Up to 15 m	
Audio		
Output	1 x Mini Stereo Jack Female (Green)	
Control		
RS-232	Connector: 1 x DB-9 Female (Black) Baud rate and protocol: Baud Rate: 19200, Data Bits: 8, Stop Bits:1, Parity: No, Flow Control: No	
Ethernet	1 x RJ-45 Female	
EDID Settings	EDID Mode: Default / Port1 / Remix / Customized (EDID Wizard support)	
Connectors		
Power	1 x 3-Prong AC Socket	
Power		
Maximum Input Power Rating	100 - 240 Vac; 50 - 60 Hz; 1.0 A	
Power Consumption	AC110V:35.7W:167BTU AC220V:34.9W:164BTU	AC110V:58.1W:272BTU AC220V:56.6W:265BTU
Environmental		
Operating Temperature	0 - 40 °C	
Storage Temperature	-20 - 60°C	
Humidity	0 - 80 % RH, Non-Condensing	
Physical Properties		
Housing	Metal	
Weight	5.12 kg (11.28 lb)	5.54 kg (12.2 lb)
Dimensions (L x W x H)	43.24 x 37.82 x 4.40 cm (17.02 x 14.89 x 1.73 in.)	43.24 x 37.82 x 4.40 cm (17.02 x 14.89 x 1.73 in.)

ATEN International Co., Ltd.

3F, No.125, Sec. 2, Datung Rd., Sijhih District., New Taipei City 221, Taiwan
 Phone: 886-2-8692-6789 Fax: 886-2-8692-6767
 www.aten.com E-mail: marketing@aten.com

Product information is subject to change without prior notice.

Released: 08/2022 V1.0

© Copyright 2022 ATEN® International Co. Ltd.
 ATEN and the ATEN logo are registered trademarks of ATEN International Co., Ltd.
 All rights reserved. All other trademarks are the property of their respective owners.
 The terms HDMI, HDMI High-Definition Multimedia Interface, and the HDMI Logo are trademarks or registered trademarks of HDMI Licensing Administrator, Inc.

