

<u>P1</u>	PIN OUT	<u>P2</u>
USB A/M 3.0		PCB
1	_____	1
2	_____	2
3	_____	3
4	_____	4
5	_____	5
6	_____	6
7	_____	7
8	_____	8
9	_____	9

NOTE:

1. Electrical test:

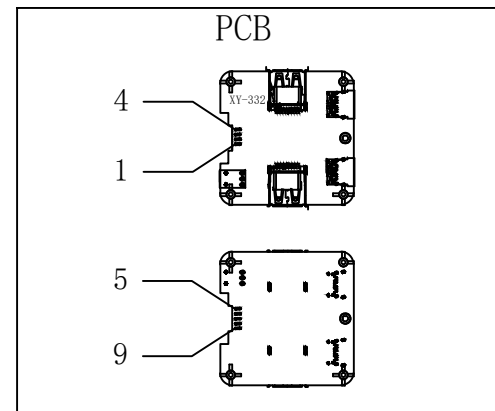
(1). 100% computer+HDD Test

2. RoHS 2.0 and REACH Compliant

Output: 2Port USB3.2 GEN1 A Female 5Gbps

2port USB3.2 GEN1 Type C Female

Input: USB3.2 A male 5Gbps



MATERIAL LIST:

⑤	Connector 2	USB3.2 2ports A Female and USB3.2 2ports Type C Female with DC, The PIN Gold Plated ,The Shell For Nickel Plated	1	
④	Mould	45P Black	1	
③	Housing	Aluminium Gray	2	
②	Connector 1	USB 3.0 A/M, Blue PBT Insulation, The PIN Gold Plated ,The Shell For Nickel Plated	1	
①	Cable	(25AWGx2C+D+AL+HM)*2C+28AWG*1P+(22AWG+D)*1C+F+AB OD:6.00±0.15mm PVC black	L±T	
NO.	PARTS NAME	SPECIFICATION DESCRIPTION	QT'Y	REMARK
		NEW	2022-10-25	A
BY	CHK	REVISION RECORD MODIFICATIONS	DATE	REV.

12.99.1124

VALUE USB 3.0 Hub with Extension Cable, 2xA + 2x C, black, 5m

ITEM NO.

DESC.

SECOMP