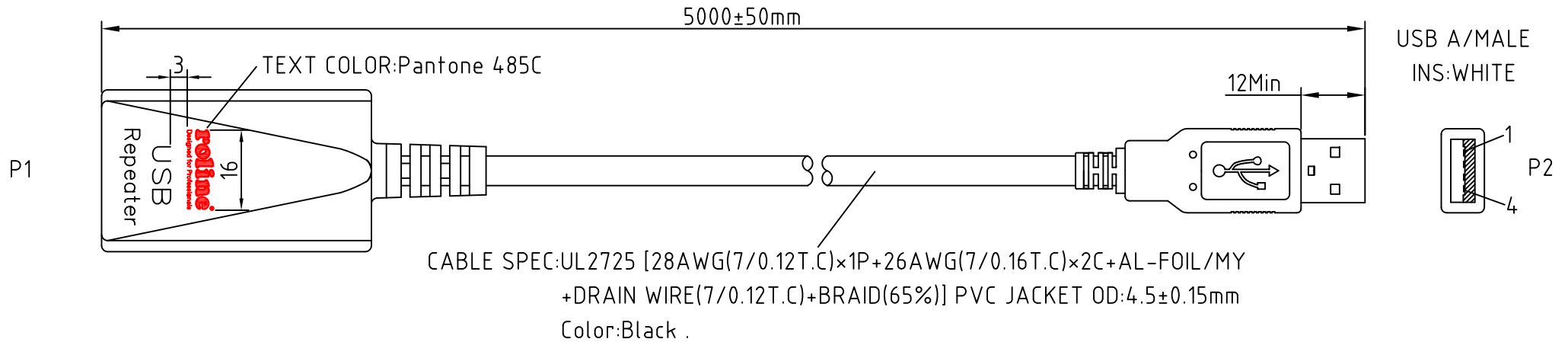


RoHS COMPLIANT

LTR	REV.	DESCRIPTION	DATE



FEATURE:

- 1.Compliant with USB specification rev.2.0 .
- 2.Extend up 16 feet(5M) .
- 3.Supports USB high-speed(480 Mbps),full-speed(12 Mbps),and low-speed(1.5 Mbps) .
- 4.Supports Plug & Play and Hot Swapping .
- 5.Cable length: 16 feet(5 meters) .
- 6.Supports Windows 98 / ME / 2000 / XP / Vista / 7 / 8 / 10 / 11 and Mac OS .
- 7.PACKING:EACH PC / BACK CARD + BLISTER + CE Notes(Size:A5) .
- 8.Connector spec:SHELL GOLD FLASH PLATED .

Tolerance Inch		M/M		SECOMP							
.X	.015	.30						Title ROLINE USB 2.0 Extention Cable,5m,black			
.XX	.010	.10									
.XXX	.005	.05		P/N: 12.04.1089							
Draw cheng 04/01/22'				App'd				Customer:			
Chek				Scale		Units		m/m		Third Angle Projection	
Engr				Dwg No.		REV:		A		Sheet 1/1	