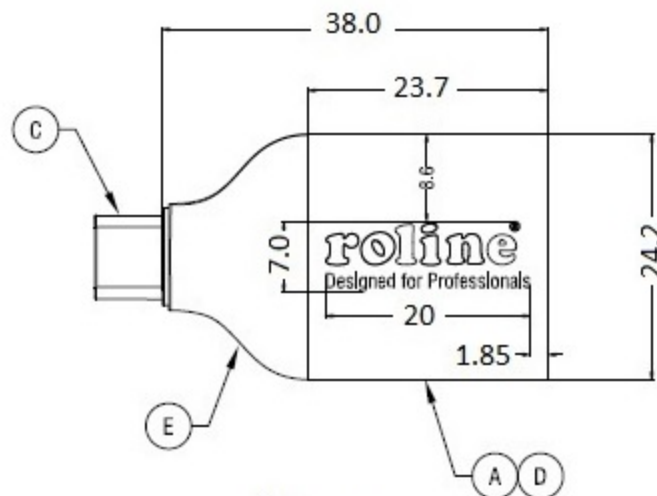
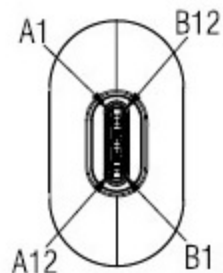
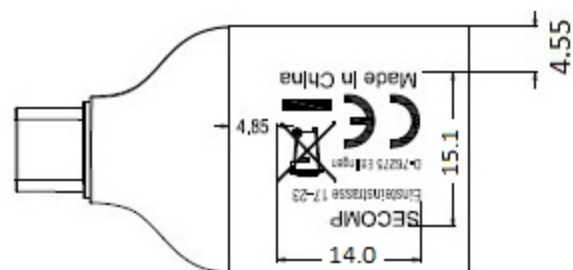
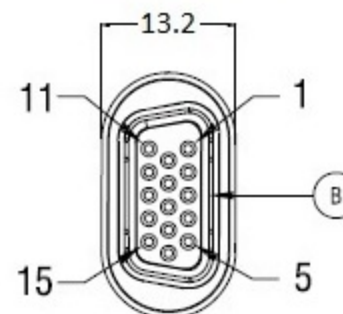


USB Type C Male



Unit: mm

HDB 15 Female



Electrical Test:

1. 100% Test - open/short/miss wire
2. Contact Resistance: 3Ω Max.
3. Insulation Resistance: 5M Ω Min.
4. Hi-Pot: 300V DC/10MS.
5. Real Test Passed 1920 x 1080
6. Real Test - Not Twinkling, Double Vision and Decolor

E	Black ABS Shell	1	PCS
D	Gold Plated Aluminum Shell	1	PCS
C	Type Ce Male (black insulator, nickel plated)	1	PCS
B	HDB 15 Female (black insulator, nickel plated)	1	PCS
A	PCB'A	1	PCS
NUMBER	PRODUCT SPECIFICATIONS	Quantity	Unit

ROLINE Gold USB Type C - VGA Adapter, M/F, Full HD			
Item #	12.03.3233		
Draw	<i>Kobe</i>	Date:	2020.04.07
Approval			
Duty	F16	BOM,NO:	

SECOMP