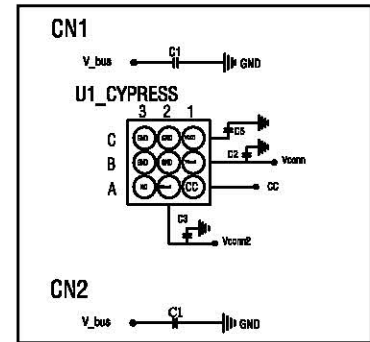


PIN DEFINE	CN1		CABLE	CN2		PIN DEFINE
	J1A	J1B		J1A	J1B	
GND	1		11		1	GND
SSTX_p1	2		13		11	SSTX_p1
SSTX_n1	3		12		10	SSTX_n1
V-bus	4		1		4	V bus
cc	5		2		5	cc
D_pl	6		19		6	D pl
D_n1	7		18		7	D_n1
SBU1	8		4		8	SBU1
V-bus	9				9	V bus
SSRX-n2	10		7		3	SSRX_n2
SSRX-p2	11		6		2	SSRX_p2
GND	12		17		12	GND
GND	shell		5		shell	GND
GND		1	8		1	GND
SSTX_p2		2	9		11	SSTX_p2
SSTX_n2		3	10		10	SSTX_n2
V bus		4	21		4	V bus
V CONN		5	20		5	V CONN
NC		6			6	NC
NC		7			7	NC
SBU2		8	23		8	SBU2
V bus		9			9	V bus
SSRX_n1		10	15		3	SSRX_n1
SSRX_p1		11	16		2	SSRX_p1
GND		12	14		12	GND



**\*NOTE:**

1. Support USB4, TB3, 40G, USB 3.2 Gen 2x2 20G & USB 3.2 Gen 2 10G, apply to Alternate mode such as PCIe, DP..., etc.
2. VCC Power supports 20V/5A 100W Max.
3. UL wire type number is adjustable for production, depend on the availability of raw material  
Available wire type: UL 21099, UL 21283, UL 21425 or UL 22112 equivalent

NUMBER	PRODUCT SPECIFICATIONS	Quantity	Unit
D	45P PVC BLACK		G
C	TYPE C MALE(Black Insulator, Nickel Plated) + IC:EZ-PD CMG1	1	PCS
B	TYPE C MALE(Black Insulator, Nickel Plated)	1	PCS
A	UL, 30AWG, 21C, Black PE Jacket	1	PCS

VALUE USB4 Flat Cable, 40G, C-C, M/M, 0.5m, black

Item	11.99.9085		<b>SECOMP</b>
Draw	Hobe	Date: 2021.10.28	
Approval			
Duty			

Sample NO. \_\_\_\_\_ Drawings of 1 (2) Proportion: 1:1 Unit(mm) **A4**