



Datenblatt - Fiche technique - Data sheet

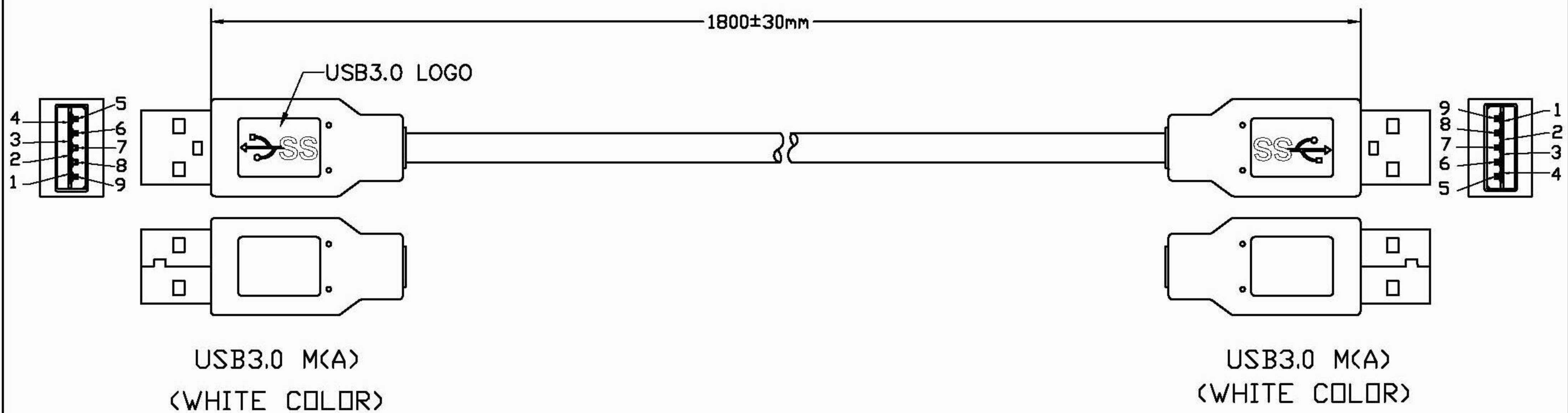
11.99.8975



VALUE USB 3.0 Kabel, Typ A-A, 1,8m

VALUE Câble USB 3.0 Type A-A, 1.8m

VALUE USB 3.0 Cable, A - A, M/M, 1.8 m



USB3.0 M(A)
(WHITE COLOR)

USB3.0 M(A)
(WHITE COLOR)

NOTE: PACKING: 1PCS/PE BAG.

1. CABLE:UL2725,AL+B-FOIL,(28AWG*1P)+[AL+MY-FOIL,(28AWG*1P+D)]*2+24AWG*2C.
WHITE COLOR,OD=5.5mm,PVC JACKET.

2. LENGTH: 1800mm.

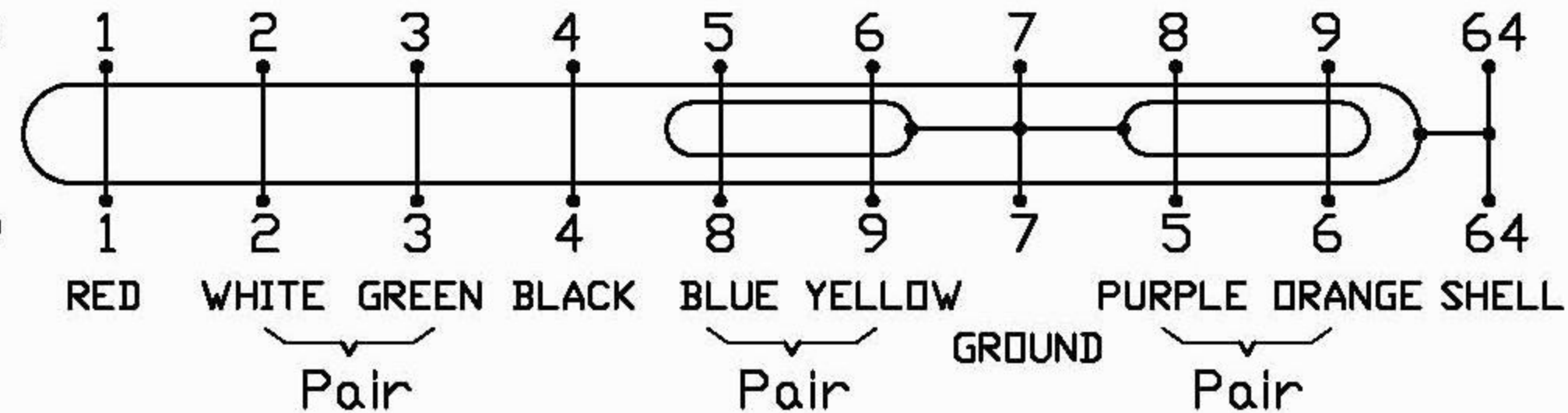
3. CONNECTORS:USB3.0 M(A)*2PCS(BLUE INSULATOR)(NICKEL).

4. MOLD:MOLDING USB TYPE.

5. CONTACTS:

USB3.0 M(A)

USB3.0 M(A)



WHITE/GREEN PAIR...28AWG , RED/BLACK...24AWG
6. OPEN/SHORT TEST: 100% TEST.
INSULATION: 2M.

注意接点

COMPANY	RLA		ITEM NO.	11.99.8975	NO	B	Rotronic Co.,Ltd.	SCALE	NON
REVISION	DATE	DISCRIPTION	DRAWN BY					UNIT(mm)	
REV.A/0	2010.12.08		DESIGNED BY					DRAWING NO.	
			APPROVAL BY						