



Datenblatt - Fiche technique - Data sheet

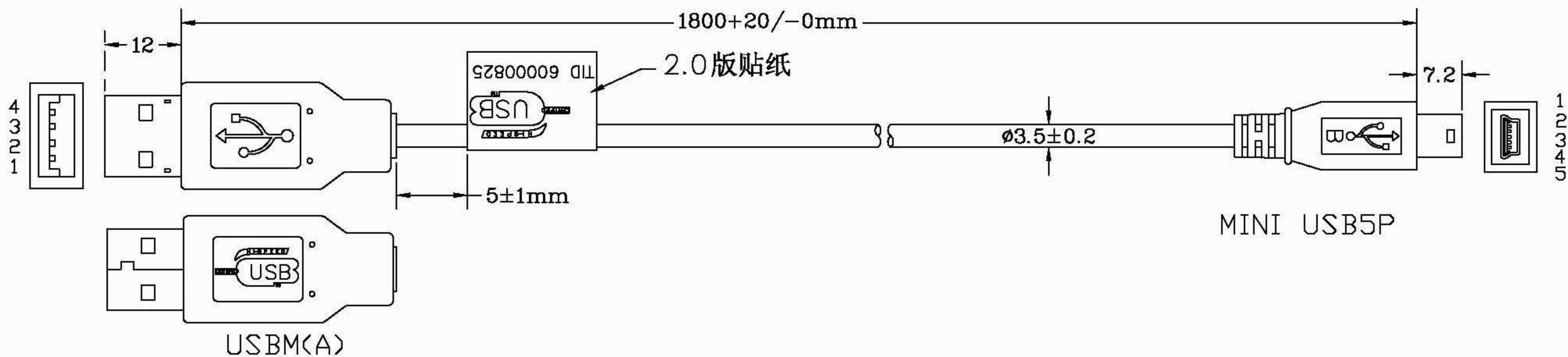
11.99.8730



VALUE USB 2.0 Kabel, Typ A - 5-Pin Mini, 3,0m

VALUE Câble USB 2.0, type A - mini 5-broches, 3,0m

VALUE USB 2.0 Cable, A - 5-Pin Mini, M/M, 3.0 m



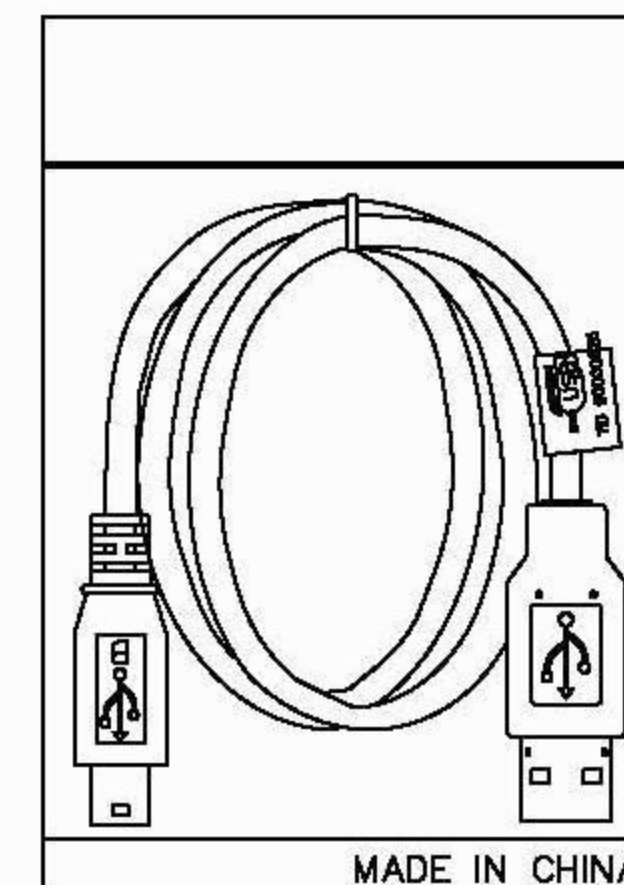
NOTE:

1. CABLE: UL2725, USB 2.0 版, AL+B-FOIL, #28*1P+#28*2C, 乳白色, $\phi D=3.5\text{mm}$, PVC JACKET.
2. LENGTH: 1800mm.
3. CONNECTORS: USB4P(A)*1(白胶芯), MINI USB5P(MALE)*1(黑胶芯)
4. MOLD: MOLDING USB4P(A) TYPE/MOLDING MINI USB 5P MALE TYPE
5. CONTACTS:

USB4P(A)	1	2	3	4	64
MINI USB 5P	1	2	3	5	64
	RED	WHITE	GREEN	BLACK	SHIELD

PAIRS

6. OPEN/SHORT TEST: 100% TEST.
INSULATION: 2M.



PE BAG(100*200*0.06MM)
1PC/PE BAG+客人条码贴纸於袋中央
20PC/小箱, 80PC/大箱, 贴外箱贴纸

COMPANY	RLA		ITEM NO.	11.99.8718	編號	B3146	Rotronic Co., Ltd.	SCALE	NON
REVISION	DATE	DISCRIPTION	DRAWN BY					UNIT(mm)	
REV.A/0	2005.08.20	C1-2508032	DESIGNED BY					DRAWING NO.	
			APPROVAL BY						