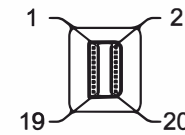
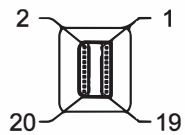


P1  
Mini DP Male

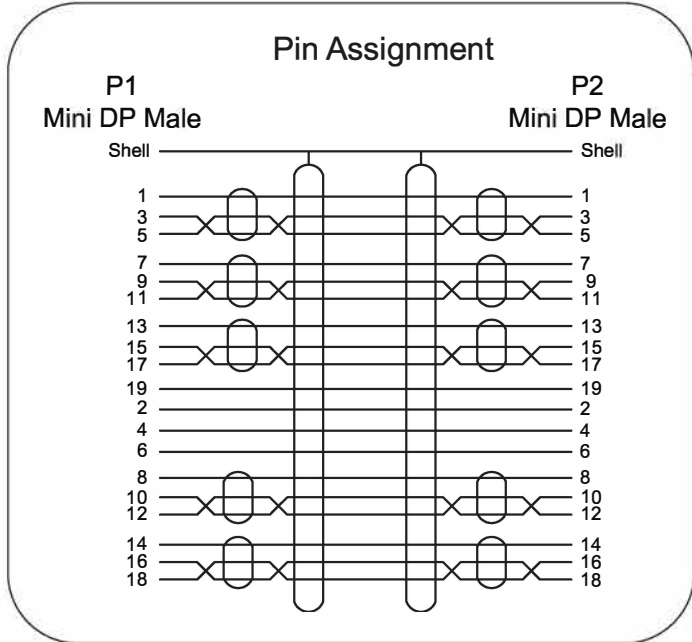
P2  
Mini DP Male



Dust Cover

Dust Cover

L±30



Note: (Mini DP to DP Real Machine Detection)

1. Source Resolution UXGA:  
3840 \* 2160P Refresh Rate: 60Hz
2. Video No Jitter, Smearing, Ghosting, Lack of Color and Other Display Abnormalities

Specification :

- |                 |   |
|-----------------|---|
| 1 Cable         | UL20276, (32AWG*1P+D+AL/MY)*5C+32AWG*4C+AL+D+B,<br>Jacket: PVC, Color: BLACK, OD: 6.0mm |
| 2 Conn.         | Mini DP Male, Insulator: White, Shell: Gold Plated                                      |
| 3 Hood          | For Mini DP Male, PVC Mold, Color: Black  |
| 4 Inner Molding | PE  |

Part No.	Length	Resistance
11.04.5817	1000 mm	2ohm
11.04.5818	2000 mm	2ohm

Rev.	Date	Contents of Change	Designer	Tol±	Pl	Met	Ins	Por	Cab	Pac	Gas	Dis	Approve	Check	Draw	Design	Product Name	Mini DP to Mini DP Cable, Black
1				Range									Allen	Allen		Kuan	Drawing Date	2017-11-20
				0~6	0.1	0.1	0.1	0.2	0.5	1	0.5	0.2					Product No.	11.04.5817/11.04.5818
				6~30	0.1	0.1	.15	.25	1	1	0.5	.25						
				30~80	0.1	.15	0.2	0.3	2	1.5	1	0.3						
				80~180	.15	.15	.25	0.3	2	2	1	.45						
				180~315	.15	0.2	0.3	0.4	2.5	2	1	0.6						
				315~800	0.2	0.3	0.4	0.5	3	3	2	1.1						
													Scale	1:1	Unit	mm		

