



**Datenblatt - Fiche technique - Data sheet**

**11.04.5773**

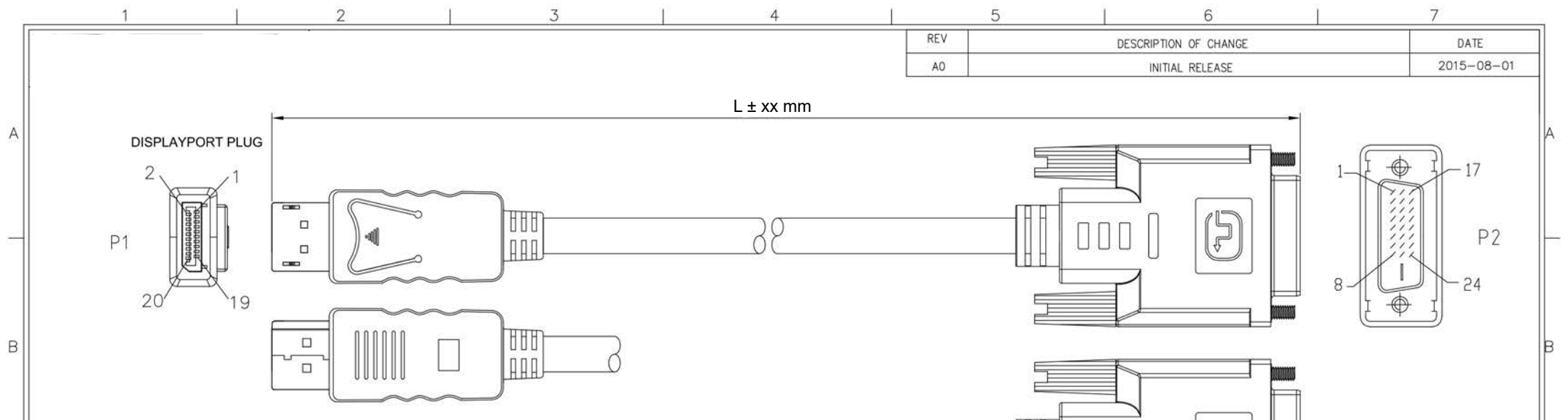


**ROLINE DisplayPort Kabel DP ST – DVI ST, LSOH, 3,0m**

**ROLINE Câble DisplayPort DP M – DVI M, LSOH, 3,0m**

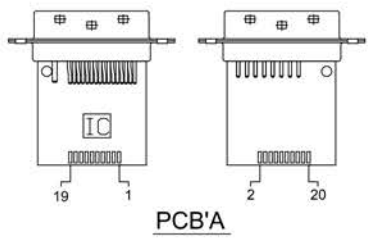
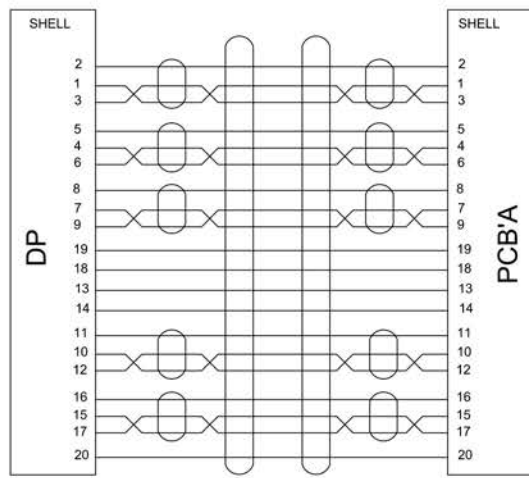
**ROLINE DisplayPort Cable, DP-DVI (24+1), LSOH, M/M, 3 m**

REV	DESCRIPTION OF CHANGE	DATE
A0	INITIAL RELEASE	2015-08-01



Cable Marking: DisplayPort Cable E301195 兄 AWM STYLE 20851 80℃ 30V VW-1 LSOH

Item No.	Length(M)	Tolerance(mm)
11.04.5771	1 M	10 mm
11.04.5772	2 M	20 mm
11.04.5773	3 M	30 mm
11.04.5774	5 M	40 mm



6	Screws	Nickel Plated Screws: $\varnothing$ 3.0*L53.0mm	2 Pcs
5	T P E	Black TPE (LSOH)	30.0g
4	P E	LDPE (RoHs) - PE101	7.00g
3	Connector	DP TO DVI (24+1) M PCB'A, Nickel Plated	1 Pcs
2	Case	DP M, Black Top Case	1 Pcs
	Connector	DP M, Nickel Plated	1 Pcs
1	Cable	28 AWG x1P+D+AL+MYLAR) x5C+28 AWGx5C+F+ADB16/5/0.12(AMA), JACKET TPE (LSOH) BLACK. OD:7.3±0.20mm	1 Pcs
NO.	Material name	Specifications Description	Quantity

DWG No.	Unit : mm
REV	Scale :
PAGE	
DESIGN	Dean
CHECKED	
APPROVED	

DIMENSIONS ARE IN MILLIMETERS TOLERANCES:  
 LINEAR: X ± 1.0  
 XX ± 0.5  
 XXX ± 0.15  
 XXXX ± 0.05  
 ANGULAR: ± 0.5°



ITEM NO.	11.04.5771, 11.04.5772, 11.04.5773, 11.04.5774
DESC.	ROLINE DisplayPort Cable DP-DVI, M/M, LSOH