

ETP-2601T/R

► Premium Single Port Ethernet over 2-Wire Transmitter / Receiver



▲ Overview

ETP-2601 Series are High-Speed, long distance Ethernet & PoE extender that makes possible to transmit the Ethernet signal and PoE via 2-Wire cable (Twisted pair cable, COM, Power line) in different situations.

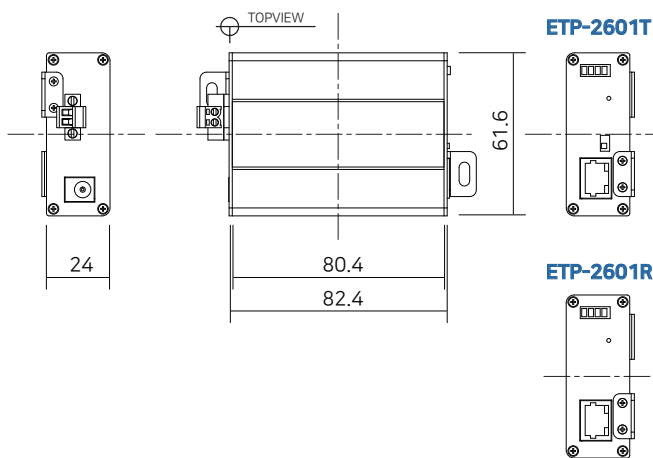
It is cost-effective and time saving solution to migrate existing analog system to IP based system since ETP-2601 supports easy installation utilizing the existing cable.

With long distance transmission feature, the device makes to overcome 100 meters distance limitation easily and reduces the construction cost significantly compared with fiber optic configuration.

▲ Features

- Ethernet over 2-Wire communication following IEEE1901 Standard
- Data + Power over 2-Wire cable (UTP, COM, Power Line, etc.)
- Supports long distance Untwisted/Twisted 2-Wire cables
- Data distance up to 600m
- PoE distance up to 300m
- Max. 95Mbps Bandwidth (270Mbps between Intercoax 2 series models)
- 10/100 Full Duplex
- 128bit AES network encryption
- Supports Multi-connection (Daisy chain, Star, etc.)
- PoE, PoE+, Extra PoE (Max. 60W output) (ETP-2601T only)
- PoE ON/OFF Switch (ETP-2601T only)
- Quality LED (Data, Power, Link, PoE)
- Plug & Play
- Surge Protection
- Support PoE+ Input (25.5W) from PSE devices – ETP-2601R Only
- Slim design

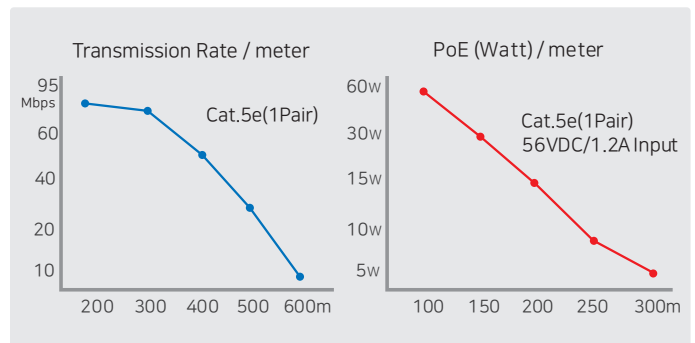
▲ Dimension



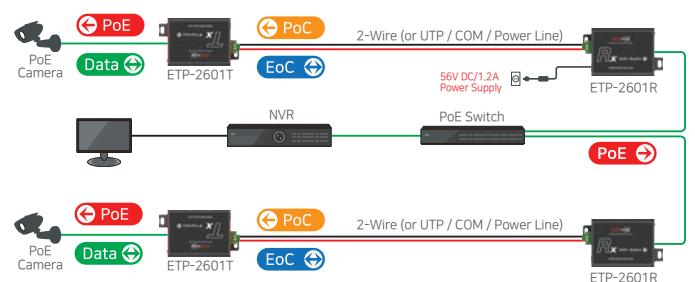
▲ Specification

Model		ETP-2601T	ETP-2601R
Interface	2-Wire	1 x 2-Pin Terminal Block - Ethernet over 2-Wire (T-LinX)	
	Ethernet	1 x RJ45 - 10/100 Base-T with Auto-detect MDIX	
Transmission Rate		95Mbps Full Duplex (270Mbps between Intercoax 2 series models)	
Transmission Distance	2-Wire	up to 600 m(Twisted Pair Cable/Cat.5e)	
	PoE (PoC)	up to 300 m (Cat.5e / 7W camera)	
LED Indication	Ethernet	1 x Data-Link (Yellow)	
	Data over 2-Wire	1 x Join-Link (Green)	
	Power	1 x Power On (Amber)	
	PoE Output	1 x PoE Out (Red)	
Encryption		128-bit AES	
Power	Input	T-Linx or DC12V~57V	PoE Switch or DC48V~57V
	PoE Output	IEEE802.3af(PoE), IEEE802.3at (PoE+), Extra PoE up to 60W	PoE Not Supported Power Over 2-Wire Only
	PoE Input	Not Supported	Up to 25.5W (PD)
Mechanical	Dimension	80.4(L) x 61.6(W) x 24(H)mm	
	Weight	102g	
Environment	Operating Temp	-20 ~ 60°C	
	Storage Temp	-30 ~ 80°C	
	Relative Humidity	10% ~ 90%	
Compliance	Certification	FCC, CE, KC	
	Surge Protection	IEC 61000-4-5 4kV(1.2 / 50us), 2kA(8 / 20us)	
Optional Accessories		56VDC / 1.2A External Power Supply	

▲ Performance chart



▲ Connection Diagram



- Transmission distance may vary depending on the type and quality of cable, use of power and environmental condition.
- Distance is based on Cat.5e(1 Pair) cable and 7 Watt IP Camera.

MOBOTIX Product Ordering Details

MOBOTIX Product: Media Converter Set Ethernet(PoE+) – Twisted-Pair

MOBOTIX Order Code: Mx-A-ETP1A-2601-SET

MOBOTIX

BeyondHumanVision

[EN_01/22](#)

MOBOTIX AG • Kaiserstrasse • D-67722 Langmeil • Tel.: +49 6302 9816-103 • sales@mobotix.com • www.mobotix.com

MOBOTIX is a trademark of MOBOTIX AG registered in the European Union, the U.S.A., and in other countries. Subject to change without notice. MOBOTIX do not assume any liability for technical or editorial errors or omissions contained herein. All rights reserved. © MOBOTIX AG 2022