

AW-FET-053C-120 AW-FGT-103C-250

Outdoor FE Unmanaged PoE Switch



Extend PoE up to 200M at 10 Mbps •
Surge Protection • IP67 • IK10

VIVOTEK's outdoor FE unmanaged PoE switch is a harden-grade IP67/IK10 unit that is equipped with a DIP switch to provide ST Standard and EX EXTend operation modes. The outdoor FE unmanaged PoE switch is specially designed for outdoor IP Surveillance application. Besides standard 802.3af/at PoE functions in ST mode, the EX mode also transmits data & power on one single cable up to 200 meters at 10 Mbps via specific EX PoE ports for long reach PoE IP cameras. VIVOTEK's outdoor FE unmanaged PoE switch also features adding an additional 20% range of input voltage tolerance (280VAC 4hr, 300VAC 1min),

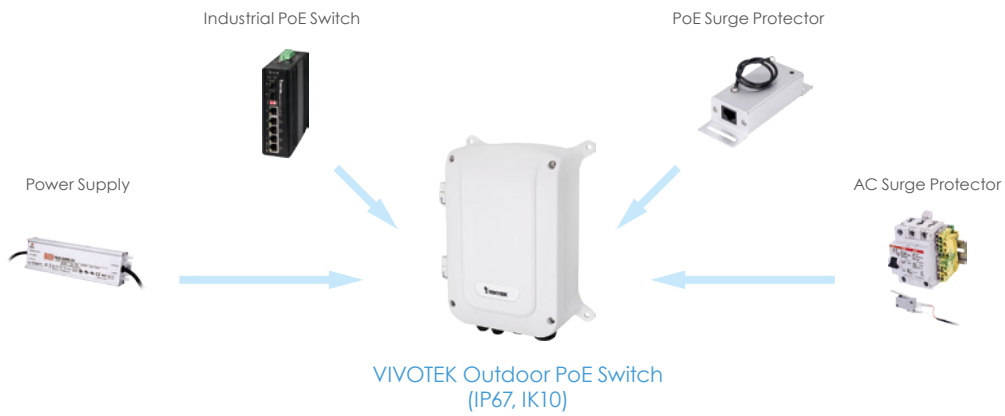
lightning surge protection on AC power & PoE surge protection to prevent damage caused by outside unstable AC power, lightning strikes and power spikes. These unique features help to reduce the costs of replacing damaged units.

VIVOTEK's outdoor FE unmanaged PoE switches have two sub models consisting of 5-port AW-FET-053C-120 and 10-port AW-FGT-103C-250 with a range of power budgets from 120W to 240W for outdoor IP surveillance applications.

Key Features

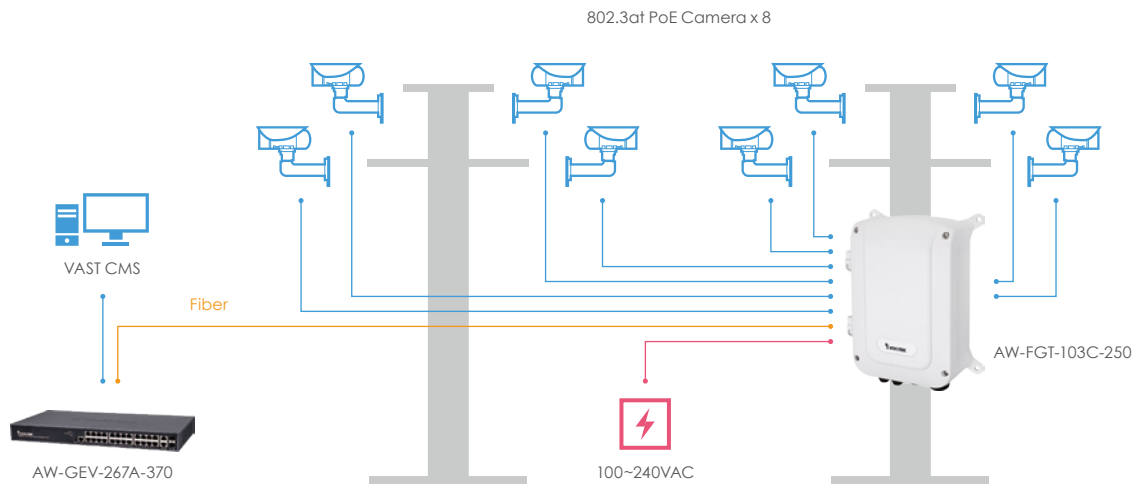
- All-in-One device with easy installation
- Waterproof IP67, Vandal Proof IK10 compliant
- 15.4W/802.3af & 30W/802.3at compliant
- 12KV PoE surge protection each port
- 10KV/40KV AC surge protection
- Extra 20% range of input voltage tolerance (280VAC 4Hr, 300VAC 1min)
- Circuit protection prevents power interference between ports
- Detects PoE PD (power device) automatically
- ST mode reaches PoE camera up to 100M @ 100Mbps via any PoE port
- EX mode reaches 802.3at camera up to 200M @ 10Mbps via EX PoE ports

Plug and Play Installation with All in One Device

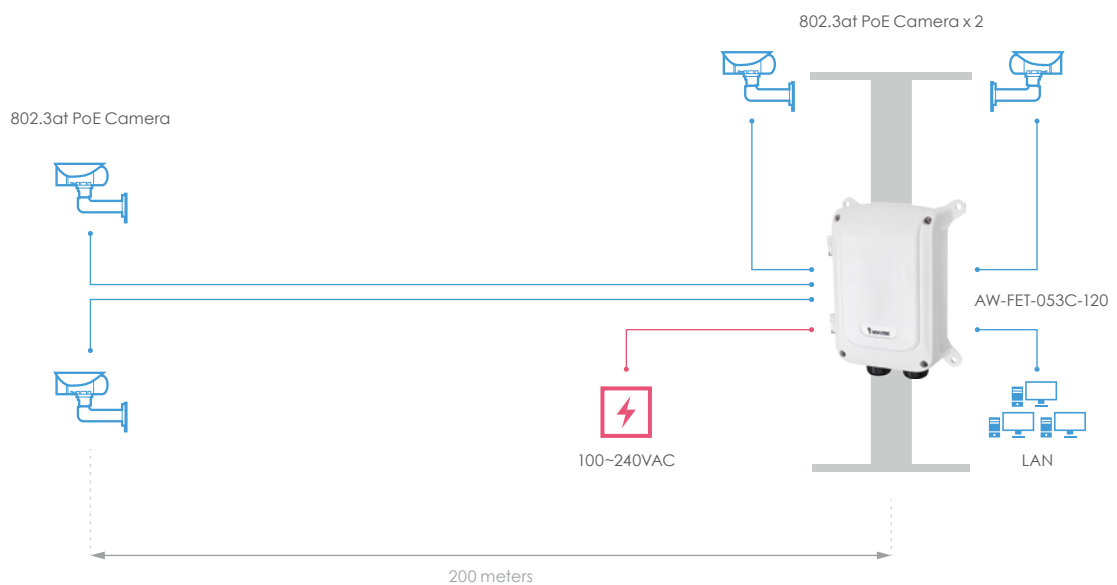


Application

ST Mode





EX Mode



Range Guide	EX Port @ EX Mode	Any Port @ ST Mode
802.3at PoE IP Camera	200M @ 10Mbps	100M @ 100Mbps

Technical Specifications

Model	AW-FET-053C-120	AW-FGT-103C-250
		
Short Highlight	4xFE PoE + 1xFE UTP	8xFE PoE + 2xGE Combo
Networking Specifications		
10/100 Mbps RJ45 PoE Port	4	8
10/100 Mbps RJ45 Port	1	-
Gigabit RJ45/SFP Combo Ports	-	2
EX Mode PoE (200M@10Mbps)*		2
Ethernet Performance		
Switching Bandwidth	1 Gbps	5.6 Gbps
Mac Table	2 K	4 K
Jumbo Frame		1536 Bytes
Auto-MDI/MDI-X, Auto-Negotiation		Supported
Power Specifications		
Power Input Voltage		100VAC ~ 240VAC
Max. PoE Output Power /Per Port		Per Port 54VDC, Max. 30W
Total PoE Power Budget	120W	240W
IEEE 802.3af/at		Supported
Power Pin Assignment		1/2(+), 3/6(-)
PoE PD Auto Detection		Supported
Surge Protection/Each PoE port		12 KV
Surge Protection for AC Power	10 KV	40 KV
General		
Waterproof Rating		IP67
Vandal Proof		IK10
Operating Temperature		-40°C ~ 60°C (-40°F ~ 140°F)
Storage Temperature		-40°C~ 85°C (-40°F~ 185°F)
Operating Humidity		5% ~ 95% non-condensing
Dimensions	255.2 (L) x 199.9 (W) x 90 (H) mm	315.4 (W) x 245.8 (H) x 118 (D) mm
Weight	3.2 KG	4.3 KG
Connectors	M25 x 2	M16 x 4, M25 x 2
Certifications		
EMC		CE, FCC, VCCI, C-Tick Class A
Safety		EN60950-1, IEC60950-1
Vibration		IEC 60068-2-6

Technical Specifications

Model	AW-FET-053C-120	AW-FGT-103C-250
		
Shock	IEC 60068-2-27	
Freefall	IEC 60068-2-32	
Surge	ITU-T K.21, IEC-61643-11	

Accessories

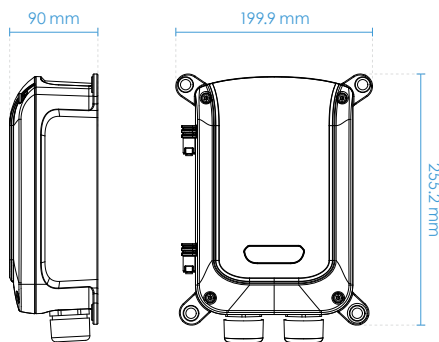
Optional Accessories

-

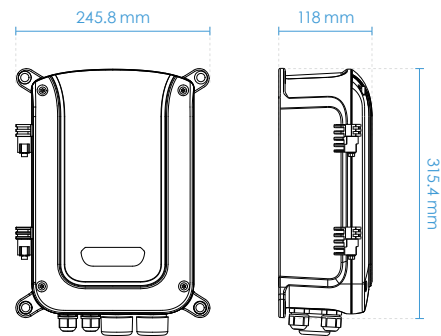
Industrial SFP Transceiver:
 SFP-1000-MM85-X5I: MMF, 0.5 km, -40°C ~ 85°C
 SFP-1000-MM13-02I: MMF, 2 km, -40°C ~ 85°C
 SFP-1000-SM13-10I: SMF, 10 km, -40°C ~ 85°C
 SFP-1000-SM13-40I: SMF, 40 km, -40°C ~ 85°C

Dimensions

AW-FET-053C-120



AW-FGT-103C-250



Compatible Accessories

Pole Mount Bracket		Corner Mount Bracket
		
AM-314	AM-315	AM-414

* EX Mode:

1. CAT.6 or better UTP/STP cable is highly recommended.
2. Low quality cables will seriously limit the cabling distance.
3. Ex mode doesn't support with the FE8391-V model.