

VIVOTEK Fixed Dome & PTZ Series **Mounting Cap**

Installation Guide

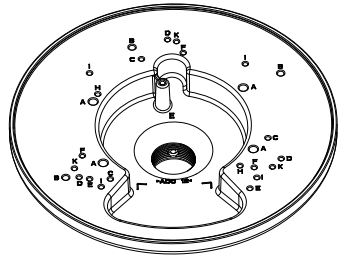
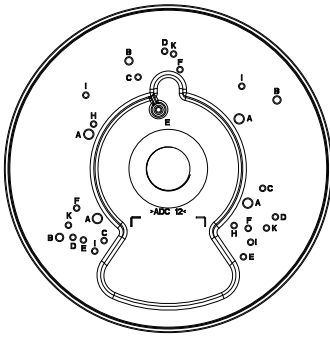
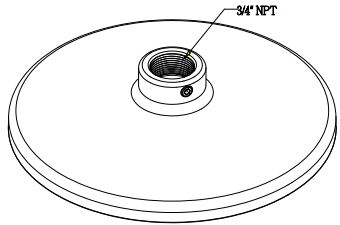
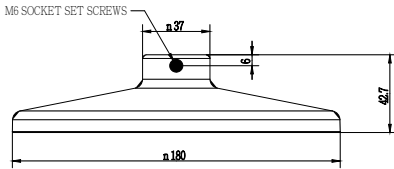
Using AM-520 and AM-522 mounting cap
and compatible accessories

Rev. 1.0

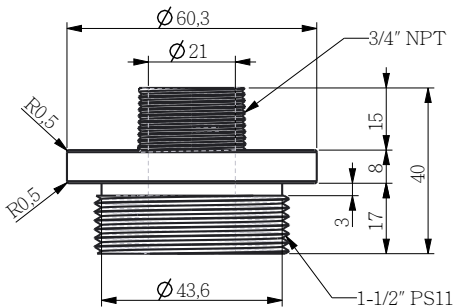
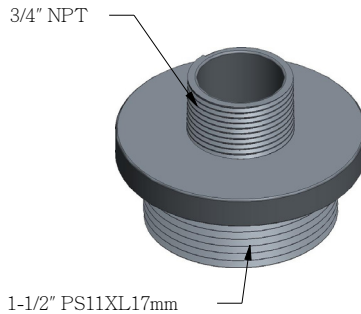
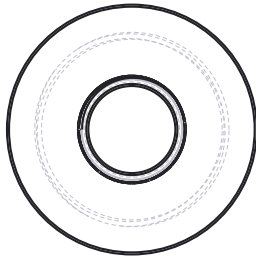
Revision History:

* Rev. 1.0: Initial Release

AM-520 Mounting Cap Mechanical Drawings



AM-522 Mounting Adapter Mechanical Drawings



Compatible VIVOTEK Cameras

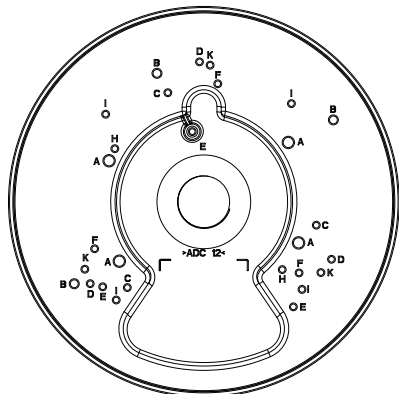
Fixed Dome series

**FD8361 / FD8361L / FD8362 / FD8362E / FD8363 / FD8335H /
FD8372 / FD8162 / FD8135H / FD8163 / FD8131V / FD8133V /
FD8134V / FE8172V / FE8171V / MD7530 / MD7560 / MD8562
/ FD8164 / FD8137H / FD8131 / FD8133 / FD8134 / FE8172 /
F8173 / FD8164V / FD8137HV**

You may also refer to VIVOTEK's website for the list of supported models. Support for other models can be available through time.

II Installation

Mounting Hole Definitions



Above are the locations of different groups of mounting holes for matching different cameras:

Hole Type	Applicable Cameras	Screw	No. of screws	Screw pack
A	FD8361 / FD8361L / FD8362 / FD8362E / FD8363 / FD8335H / FD8372	M5X10 round head	4	A
B	FD8162 / FD8135H / FD8163	M4X12 round head	3	B
C	FD8131V / FD8133V / FD8134V	M3X6 round head	3	C/E/F/K
D	FE8172V / FE8171V	M3X8 binding head	3	D
E	MD7530 / MD7560 / MD8562	M3X6 round head	3	C/E/F/K
F	FD8164 / FD8137H	M3X6 round head	3	C/E/F/K
H	FD8131 / FD8133 / FD8134	M3X6 round head	2	H
I	FE8172 / FE8173	M3X8 binding head	4	I
K	FD8164V / FD8137HV	M3X6 round head	3	C/E/F/K

For cabling and configuration details with each network camera, please refer to their documentation.

Refer to the table below for the description of the included screws:

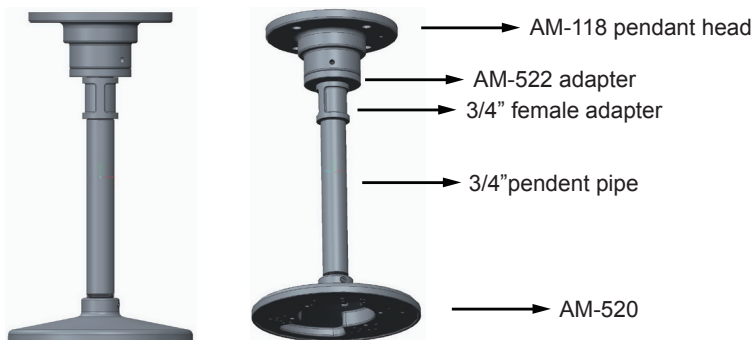
Screw Description	No. of screws	Material char.
M5X10 (A)	4	
M4X12 (B)	3	
M3X6 (C/E/F/K)	3	
M3X8 (D)	3	
M3X6 (H)	2	
M3X8 (I)	4	



NOTE:

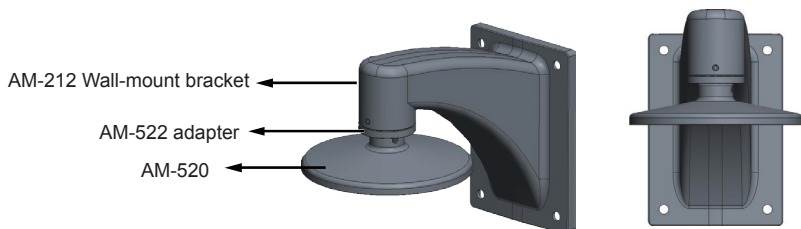
1. AM-522 is necessary when installing the AM-520 mounting cap to VIVOTEK's standard mounting options such as AM-212 (wall mount bracket) and AM-221 (gooseneck).
2. Route cables before you secure the accessories to a wall.
3. For details on the cable connections with each camera, please refer to their Quick Installation Guide.

Configuration - Pendant Pipe

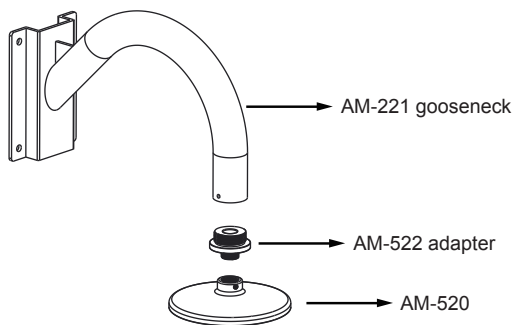
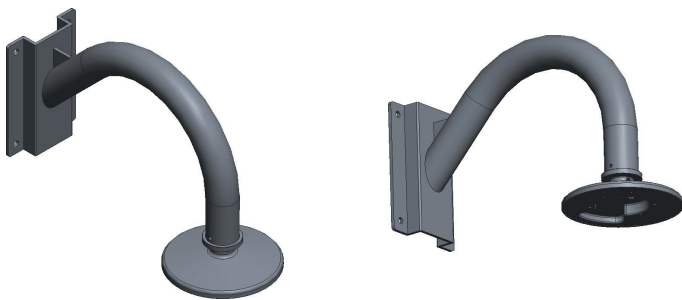


Note: The 3/4" female adapter is separately purchased.

Configuration - Wall Mount

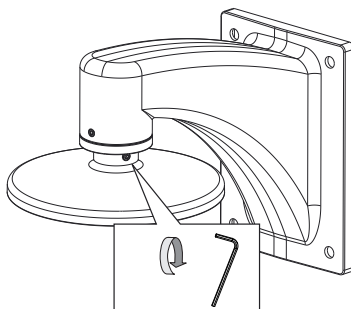


Configuration - Gooseneck



NOTE:

When installing the mounting cap, take note that the orientation of the mounting cap can affect the camera's shooting direction. You may need to remove the mounting cap, rotate, and re-install it for the best orientation. Use the hex wrench to tighten its retention hex socket screw when done.



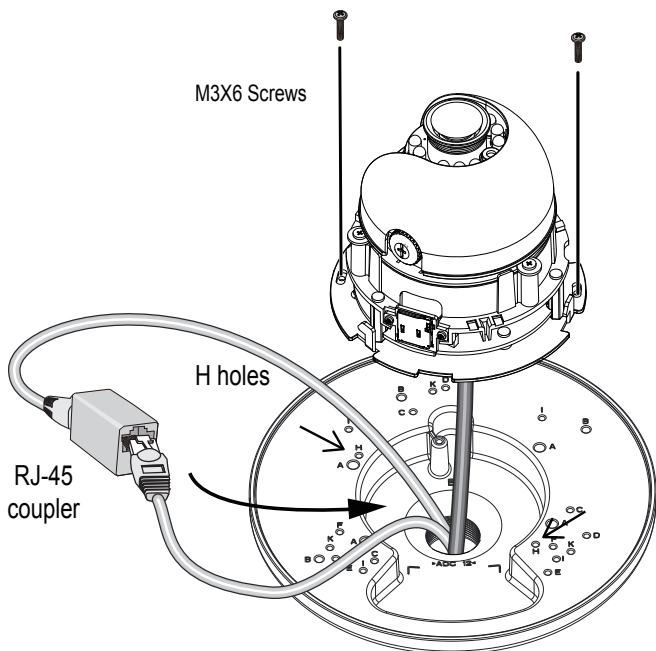
Installing Camera to Mounting Cap

Refer to the matching table on page 4 for the mounting hole information for your camera.

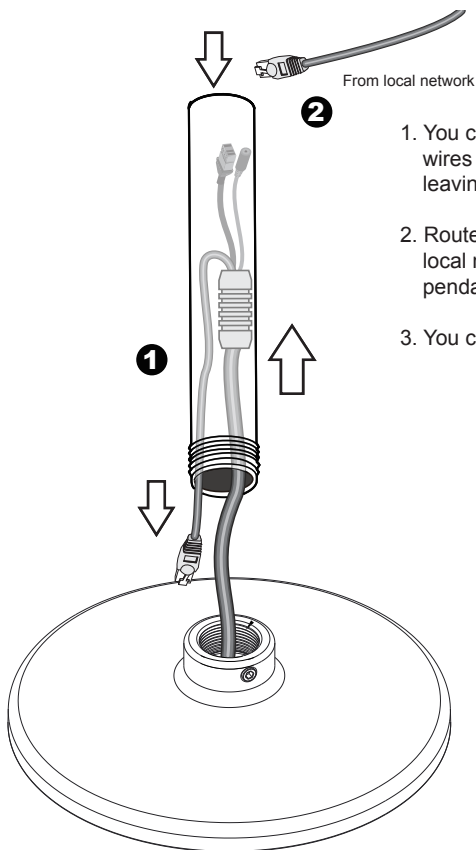
1. You should route cables through other accessories before you install cameras to the mounting cap.
2. Route power lines and other cables through the mounting cap.
3. Orient and install the camera to the mounting cap.
4. Connect cables to the camera.
5. Install the mounting cap to other accessories, e.g., wall-mount bracket.
6. Proceed with initial setup such as enabling network access, focus tuning, or zooming.
When done, secure the outer dome cover.

Some installation samples are shown below:

FD8134



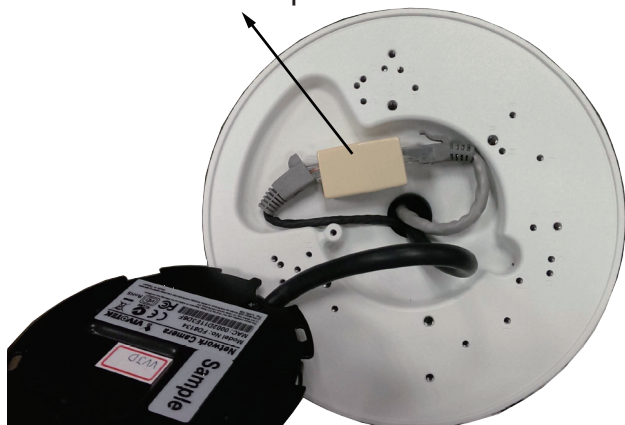
Note that for cameras that come with cable glands, e.g., FD8134 and FD8134V, it can be tricky passing them through a 3/4" pendant pipe.



1. You can pass the cable gland and other wires into or through the pendant pipe, while leaving the RJ-45 connector behind.
2. Route another Ethernet cable from the local network through the other end of the pendant pipe.
3. You can then install the pendant pipe.

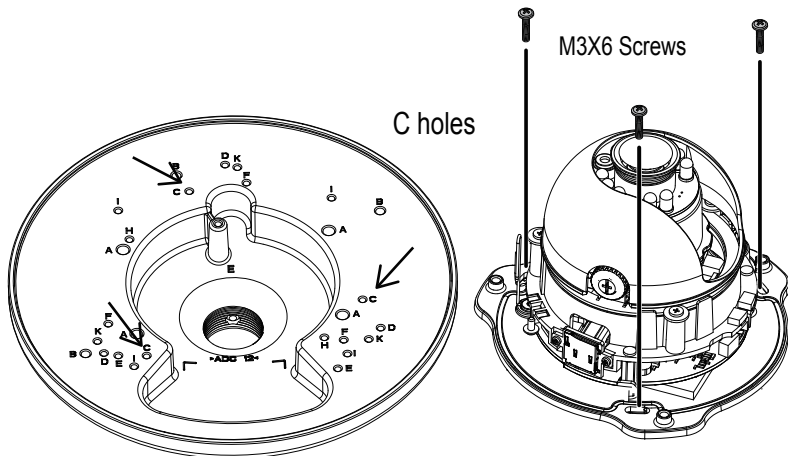
You can then connect the RJ-45 from the camera with that from the local network using an RJ-45 coupler. When done, press the coupler and the cables into the recess of the bracket.

RJ-45 coupler

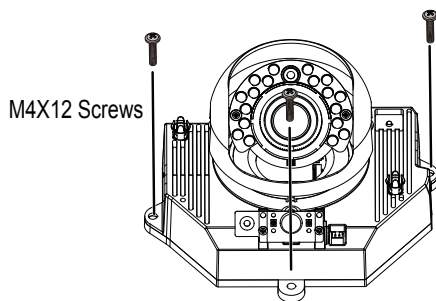


Align and install the camera to the bracket.

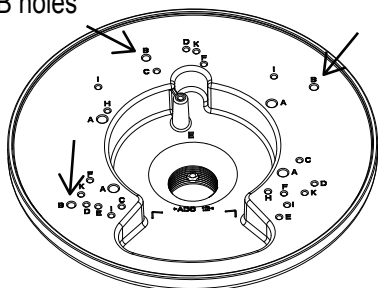
FD8134V

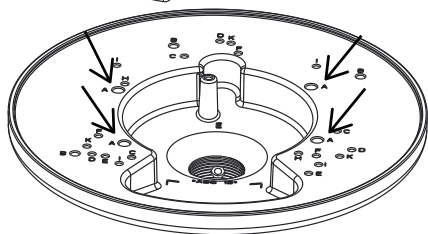
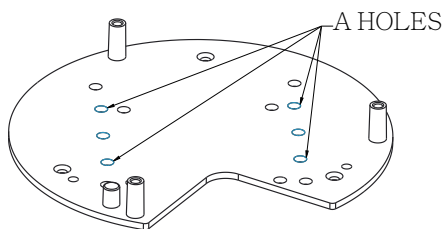
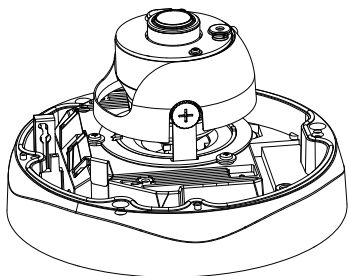
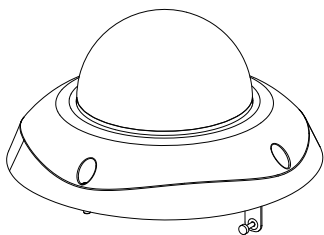


FD8135H

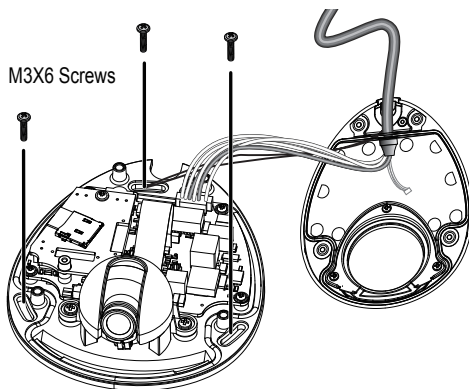


B holes

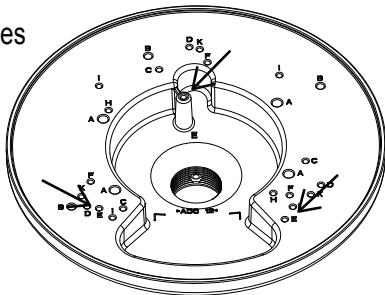




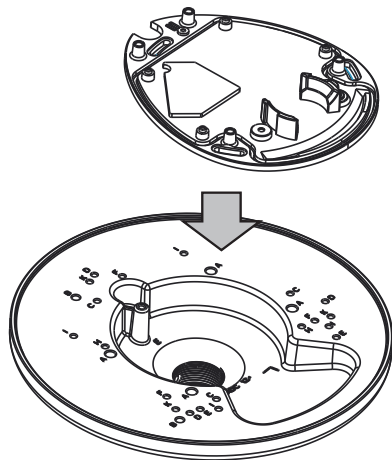
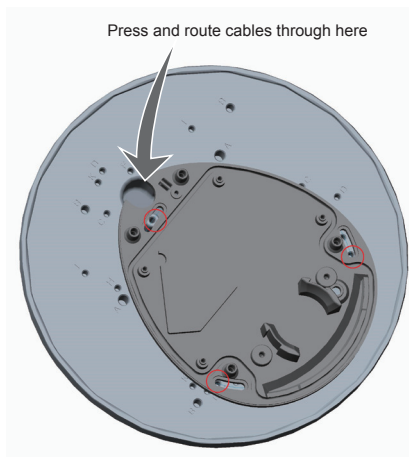
MD8562



E holes

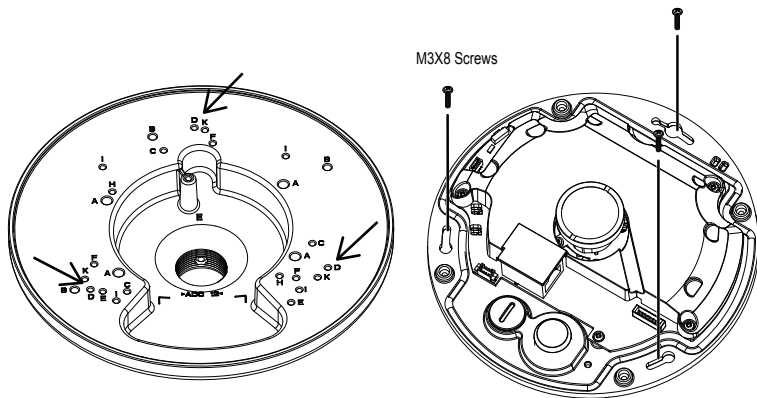


Press and route cables through here



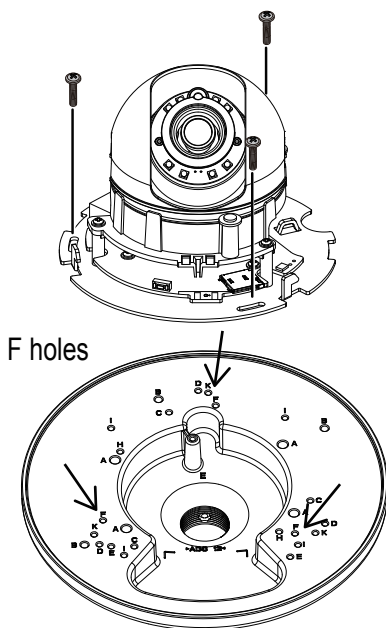
FE8172V

For details routing and preparing for waterproof cabling, please refer to the camera's Quick Installation Guide.

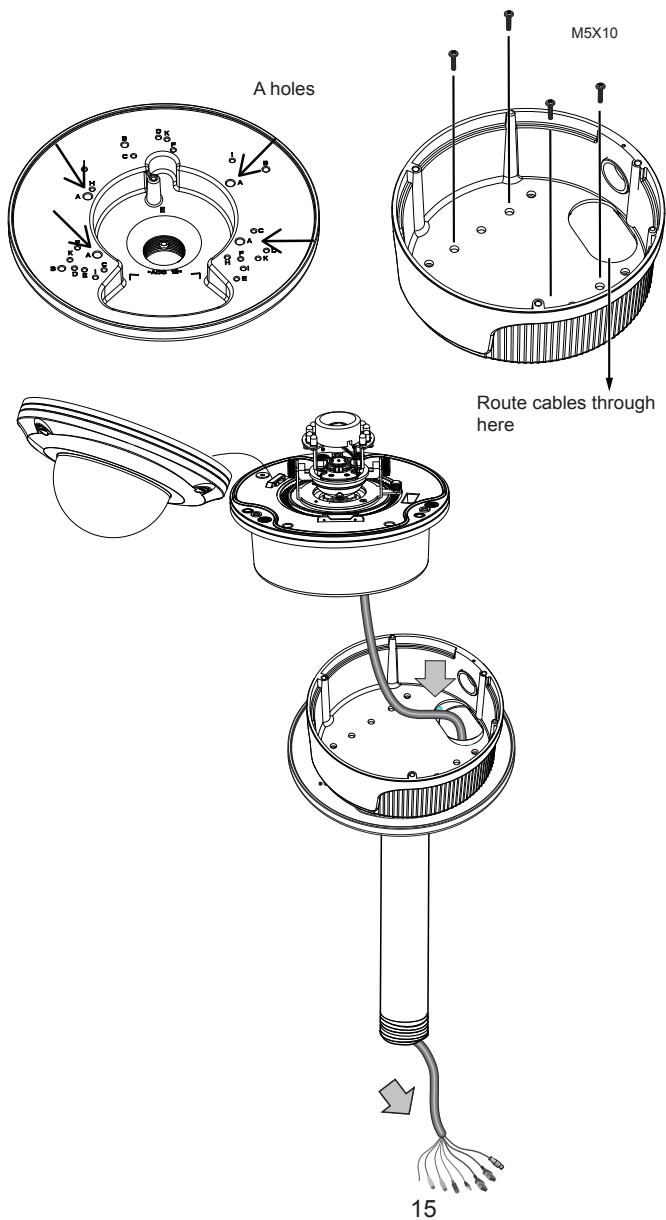


D holes

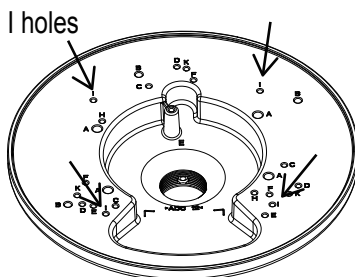
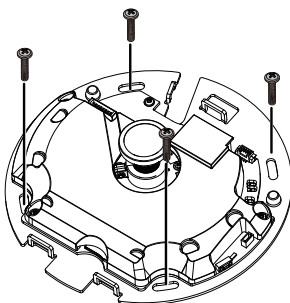
FD8164 / FD8137H



F holes



FE8172 / FE8173



FD8164V / FD8137HV

