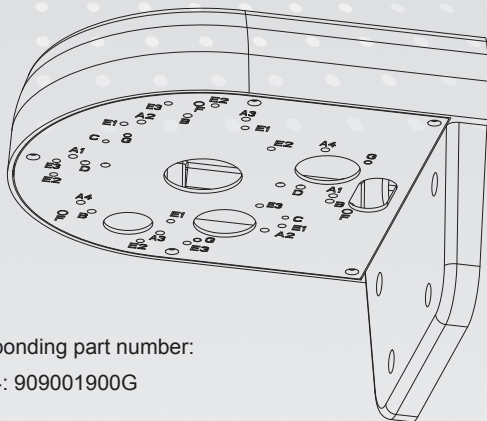


VIVOTEK Fixed Dome & PTZ Series Wall-mount Bracket

Installation Guide

Using AM-214 wall-mount bracket
and compatible accessories



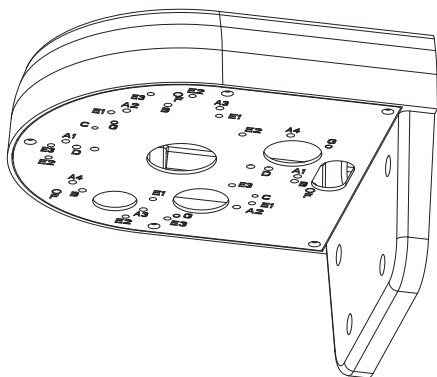
Corresponding part number:
AM-214: 909001900G

Rev. 1.2

Revision History:

- * Rev. 1.0: Initial Release
- * Rev. 1.1: Added description for more supported models, such as FD8161 and FD8335H.
- * Rev. 1.1a: Added installation details for the FD8361 and FD8361L.
- * Rev. 1.1b: Added FD8135H and FD8163 into the support list.
- * Rev. 1.1c: Added FD8173HV/54V/64V and FD8173H/54/64 into the support list.
- * Rev. 1.2: Added the ordering part number.

AM-214 Wall-mount Bracket

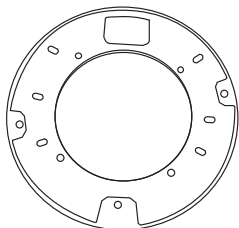


Compatible VIVOTEK Cameras

Fixed Dome series	FD8133, FD8134, FD8133V, FD8134V, FD8161, FD8169, FD7132, FD7131, FD8162, FD8135H, FD8137H/54/64/69, FD8137H/V/54V/64V, FD8163, FD8362E, FD8362, FD8372, FD8335H, FD8361, FD8361L, FD8131
PTZ series	PZ7111, PZ7112, PZ7121, PZ7122, PZ7131, PZ7132, PZ7151, PZ7152, PZ81x1W, PZ81x1

You may also refer to VIVOTEK's website for the list of supported models. Support for other models can be available through time.

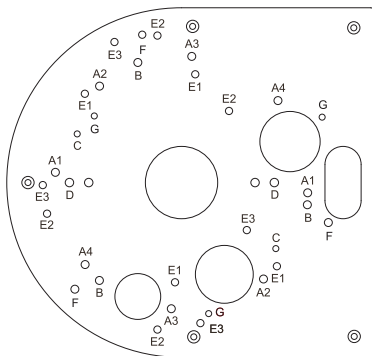
II Accessories



Adaptor ring for FD8162, FD8135H, and FD8163

III Installation

Mounting Hole Definitions






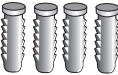


Above are the locations of different groups of mounting holes for matching different cameras:

Hole Type	Applicable Cameras	Screw	No. of screws
A	FD8161 / FD7132 / FD7131	M4X15	2
	FD8162 / FD8135H / FD8163		4
B	FD8133V / FD8134V	M4X8XD6	3
C	FD8133 / FD8134 / FD8131	M3X6	2
D	PZ7111 / PZ7112 / PZ7121 / PZ7122 / PZ7131 / PZ7132 / PZ7151 / PZ7152 / PZ81x1W / PZ81x1	M3X4	2
E1	FD8335H / FD8361 / FD8361L / FD8362 / FD8362E / FD8372	M4X15	4
E2	FD8361 (cables routed to the side of the bracket)		
E3	FD8361 (cables routed to the side of the bracket)		
F	FD8137HV/54V/64V	M4X8XD6	3
G	FD8137H/54/64/69	M3X6	3

For cabling and configuration details with each network camera, please refer to their documentation.

Refer to the table below for the description of the included screws:

Screw Description	Quantity	Applies to	
M4X15 Phillips pan head	4	A holes	
M3X4 Phillips pan head (black)	2	D holes for PZ and PT series	
M4X8XD6 Phillips pan head	3	B holes	
M4X25XD9 Phillips pan head	4	Securing the bracket to wall	
M3x6 Phillips pan head	3	C holes	
Plastic anchors	4	Securing the bracket to wall	



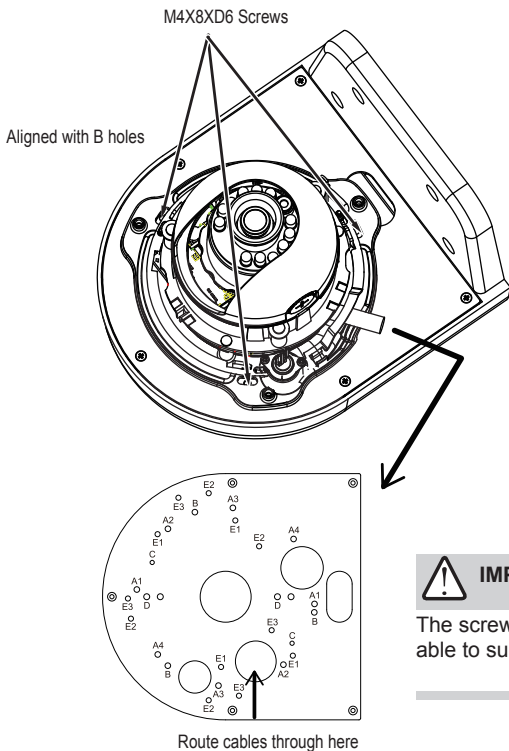
NOTE:

1. It is presumed that this wall-mount bracket is installed with a hole drilled on the wall for routing power lines, DI/DO, and Ethernet cables.
2. Route cables before you secure the wall-mount bracket to a wall.
3. For details on the cable connections with each camera, please refer to their Quick Installation Guide.

Wall Mount Installation - FD8134V

Below is a general, sample procedure using a wall mount bracket:

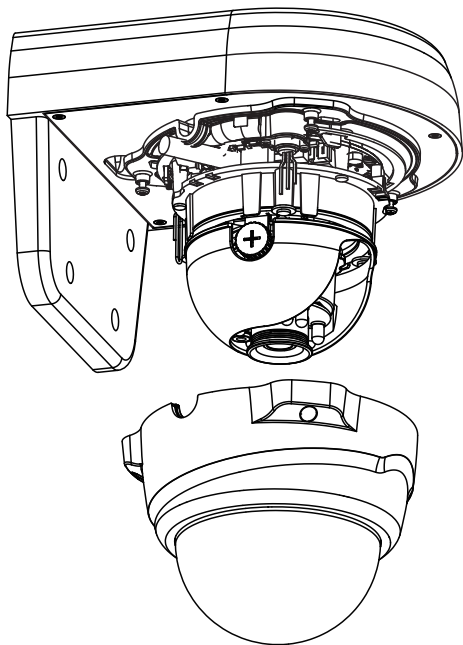
1. Locate the position where you want to install the wall mount bracket and camera. Drill holes on the wall for securing the bracket and for routing the cables.
2. Secure the bracket by hammering anchors into the wall and then fasten screws through the four mounting holes on the bracket.
3. Route power lines and other cables through the wall and the bracket.
4. Align the camera's mounting holes with the B holes. Secure the camera to the wall mount bracket as shown below.



IMPORTANT!

The screws and mounting surface must be able to support a weight of 4 kg.

5. Proceed with initial setup such as enabling network access, focus tuning, or zooming. When done, secure the outer dome cover.



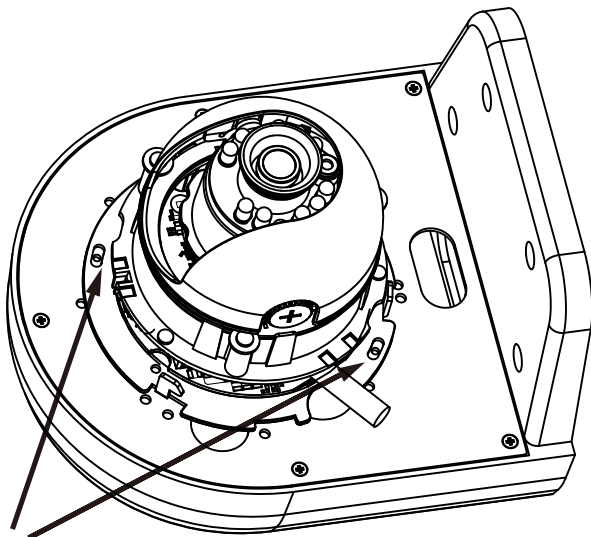
NOTE:

Use the correct type of screws when installing cameras to the mounting cap. Refer to page 3 for the screw type.

Wall Mount Installation - FD8134

Below is a sample procedure using wall mount bracket and an FD8134:

1. Determine a hard surface wall location, and use the four mounting holes on the wall mount bracket to mark the positions where holes will be drilled to secure the bracket.



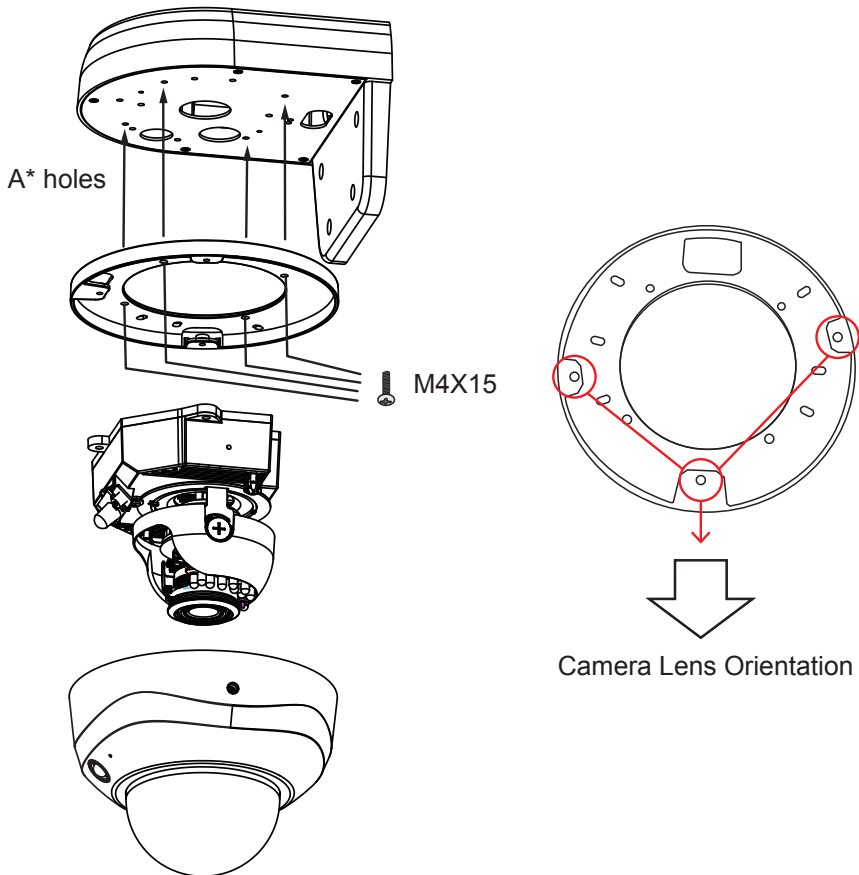
M3X6 Screws

2. Drill holes on the wall for passing cables and for securing the wall mount bracket.
3. Secure the bracket by hammering anchors into the wall and then fasten screws.
4. Route power lines and other cables through the bracket and wall.
5. Secure camera to the wall mount bracket using the C holes and M3x6 screws.
6. Proceed with initial setup such as enabling network access, focus tuning, or zooming. When done, secure the outer dome cover.

Wall Mount Installation - FD8162, FD8135H, or FD8163

Below is a sample procedure using wall mount bracket and an FD8162:

1. Determine a hard surface wall location, and use the four mounting holes on the bracket to mark the positions where holes will be drilled to secure the bracket.



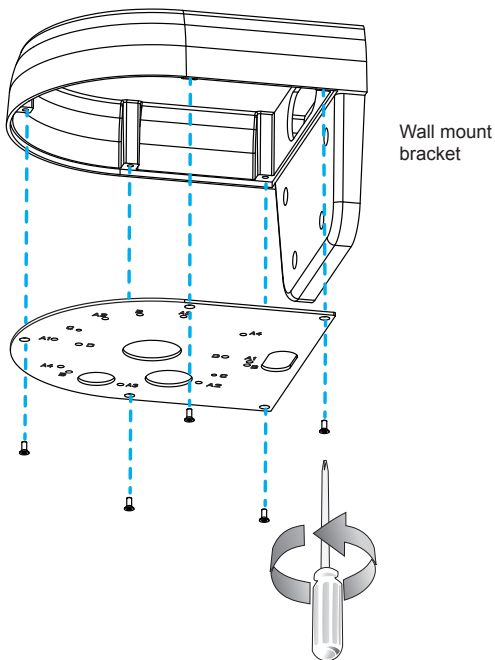
2. Drill holes on the wall for securing the bracket and for routing cables.
3. Route cables through the wall and bracket.
4. Secure the wall mount bracket to the wall using the included screws and plastic anchors.
5. Rotate the adaptor ring to match the camera lens orientation your prefer, e.g., to the front or to the left. Secure the adaptor ring to bracket using the M4X15 screws to the A2 and A4 holes on the bracket.

6. Secure the camera to the adaptor ring using the included screws.
7. Connect power lines and cables to the camera.
8. Proceed with initial setup such as enabling network access, focus tuning, or zooming.
When done, secure the outer dome cover.

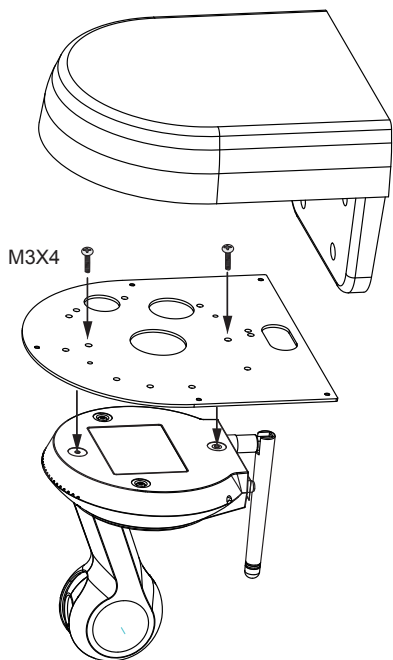
Wall Mount Installation - PZ7151 (and Applies to All PZ Series)

Below is a general, sample procedure for installing a PZ or PT series camera with the wall mount bracket:

1. Detach the mount panel by loosening 5 screws from the wall mount bracket.



2. Secure the camera from the inner side of the mount panel by driving M3 screws to the bottom of camera.
3. Locate the position where you want to install the wall mount bracket. Drill holes on the wall for securing the bracket and for routing cables.
4. Route power lines and other cables through the wall and the bracket.
5. Secure the wall mount bracket to the wall using the included fasteners and screws.
6. Attach the camera and the mount panel to the wall mount bracket using the 5 screws you previously removed.
7. Connect power lines and cables, and you may now begin the initial connection and configuration.



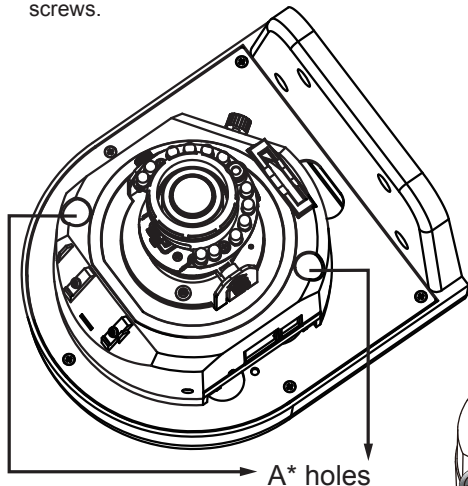
NOTE:

Use the correct type of screws when installing cameras to the mounting cap. Refer to page 3 for the screw type.

Wall Mount Installation - FD8161

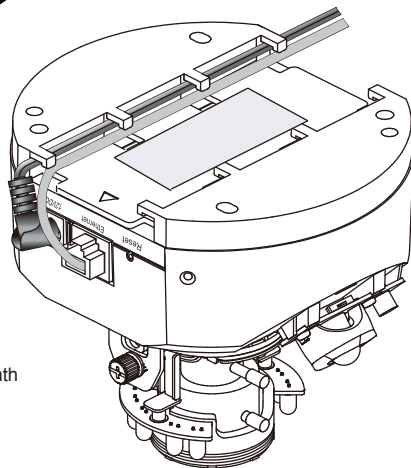
Below is a general, sample procedure using a wall mount bracket with the FD8161 camera:

1. Locate the position where you want to install the wall mount bracket and camera. Drill holes on the wall for securing the bracket and for routing cables.
2. You can route cables through the hole in the center of the bracket and the space beneath the camera.
3. Secure the wall mount bracket to the wall using the included plastic anchors and screws.



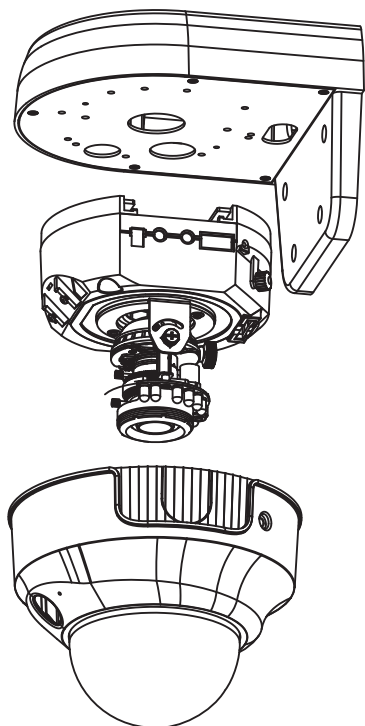
A* holes

Cable routing path



4. Attach the camera to the bracket using 2 M4X15 screws.
5. Connect cables and you may now begin the initial connection and configuration.

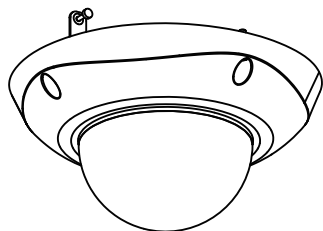
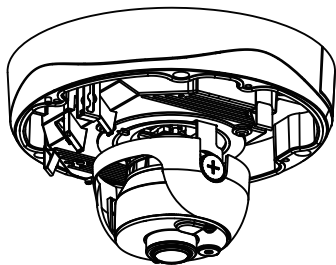
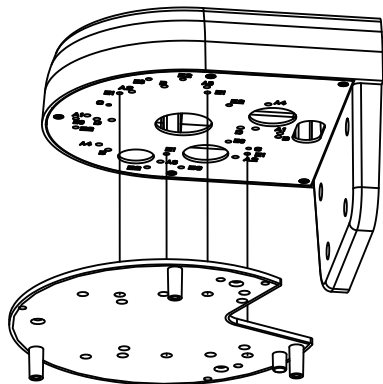
6. Attach dome cover to the camera.



Wall Mount Installation - FD8362E / 8335H / 8372

Below is a general, sample procedure using a wall mount bracket with the FD8362E, FD8335H, and FD8372 cameras:

1. Locate the position where you want to install the wall mount bracket and camera. Drill holes on the wall for securing the bracket and for routing cables.
2. You can route cables through the hole in the center of the bracket.
3. Secure the wall mount bracket to the wall using the included plastic anchors and screws.
4. Attach the camera's mounting plate (which comes with the outdoor series cameras) to the bracket using 4 M4X15 screws.
5. Connect cables and you may now begin the initial connection and configuration.



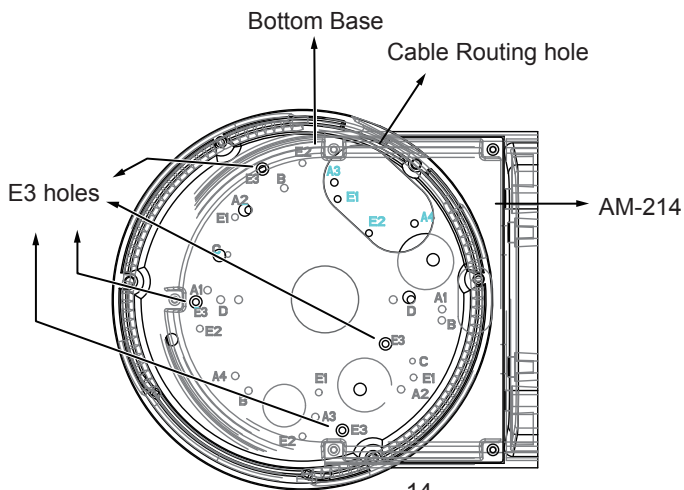
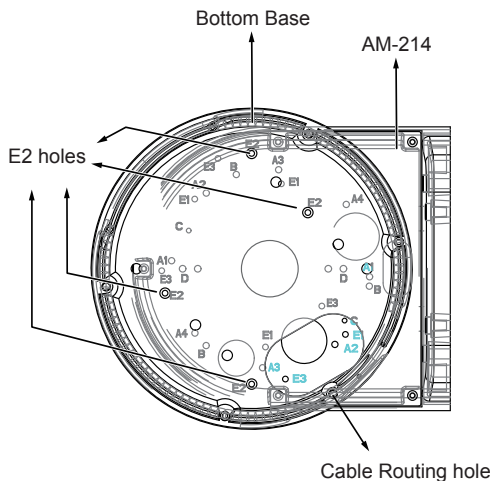
IMPORTANT!

The screws and mounting surface must be able to support a weight of 5 kg.

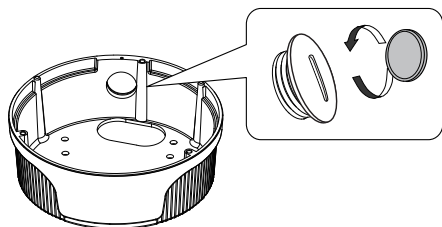
Wall Mount Installation - FD8361 & FD8361L

Below is a general, sample procedure using a wall mount bracket with the FD8361 and FD8361L cameras:

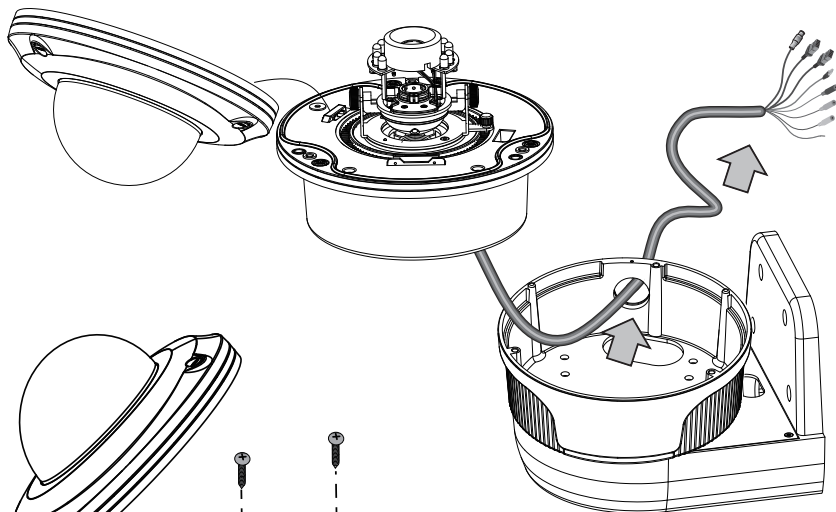
1. Locate the position where you want to install the wall mount bracket and camera. Drill holes on the wall for securing the bracket.
2. Secure the wall mount bracket to the wall using the included plastic anchors and screws.
3. Align and secure the camera's bowl-like bottom base to the bracket using 4 M4X15 screws. This is done either through the E2 or E3 holes. See the drawings below.



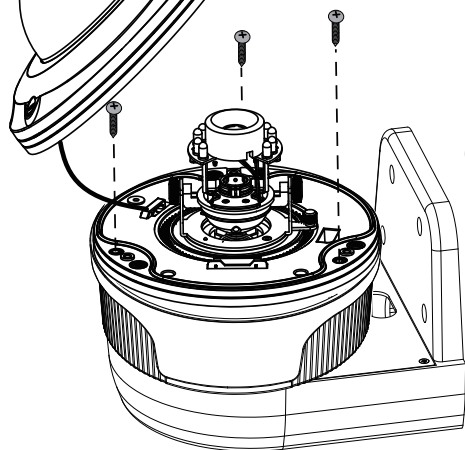
4. Remove the plastic plug on the side opening using a coin.



5. Pass the combo cable through the routing hole, and then fit the camera into the bottom base. You may need to pull the cable and squeeze the camera into the bottom base.



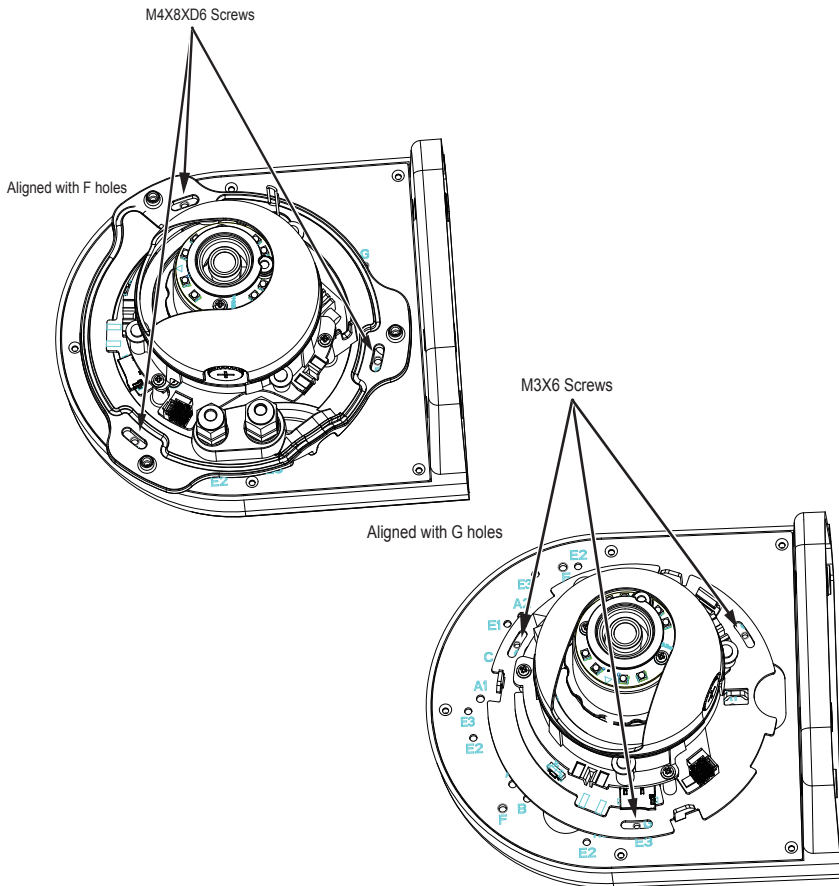
6. Fasten the camera to the bottom base using 3 included screws.



Wall Mount Installation - FD8137HV/54V/64V, FD8137H/54/64/69

Below is a sample procedure using wall mount bracket and cameras listed above:

1. Determine a hard surface wall location, and use the four mounting holes on the wall mount bracket to mark the positions where holes will be drilled to secure the bracket.



2. Drill holes on the wall for passing cables and for securing the wall mount bracket.
3. Secure the bracket by hammering anchors into the wall and then fasten screws.
4. Route power lines and other cables through the bracket and wall.
5. Secure camera to the wall mount bracket using the F or G holes.
6. Proceed with initial setup such as enabling network access, focus tuning, or zooming.
When done, secure the outer dome cover.