



Datenblatt - Fiche technique - Data sheet

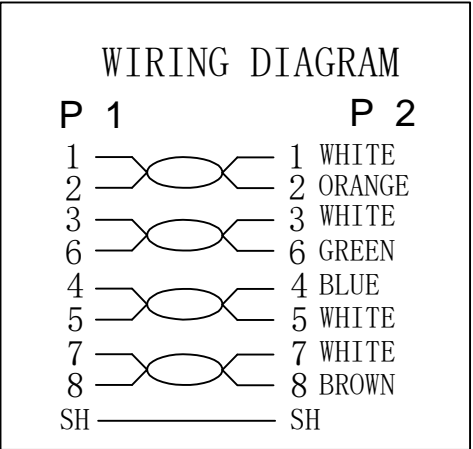
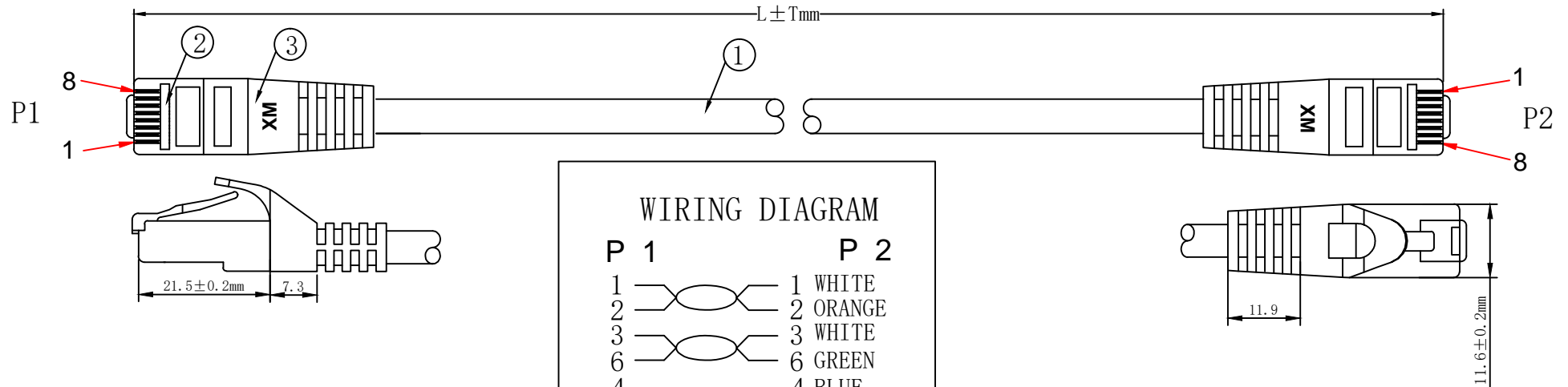
21.15.2891



ROLINE Patchkabel Kat.6A S/FTP (PiMF), Comp. Level, LSOH, pink, 1,0 m

Cordon ROLINE S/FTP(PiMF) Cat.6A / 10 Gigabit, LSOH, Component Level,
pink, 1,0 m

ROLINE S/FTP Patch Cord Cat.6A, Component Level, LSOH, pink, 1.0 m



1. ELECTRICAL TEST:

- (1).100% OPEN SHORT & MISS WIRE TEST;
- (2).INSULATION RESISTANCE:DC 250V 20M OHM MIN;
- (3).CONTACTOR RESISTANCE:30 OHM MAX

2.PRINTING:GHMT® roline CAT.6A S/FTP COMPONENT PATCH CORD LSZH 500MHZ ISO/IEC 11801 & EN 50173-1 & ANSI/TIA-568-C.2

3.100% Component Patch cord Test PASS

4.Minimum bending radius:60mm

MATERIAL LIST

⑥	LABEL	NO DRY GLUE LABEL	1PCS	
⑤	MINI TIE	PE MINI TIE(POSSESS METAL)	2PCS	
④	POLYETHYLENE BAG	POLYETHYLENE BAG	1PCS	
③	OVER MOLD	88A PVC Pink	2PCS	
②	CONNECTOR	RJ45 8P8C'S SHIELDED PIN GOLD PLATED 3u", SHELL PLATED NICKEL Transparent Blue	2PCS	
①	CABLE	S/FTP CAT.6A 26AWG (BC*1P+AL-FOIL)*4P+BRAID CABLE JACKET LSOH OD=6.2±0.2MM	1PCS	
NO.	PARTS NAME	SPECIFICATION STANDARD	QT' Y	REMARK

COLOUR:Pink (PANTONE:212C)

ITEM NO.	LENGTH (L)	TOLERANCE (T)
21. 15. 2979	300mm	± 10mm
21. 15. 2890	500mm	± 15mm
21. 15. 2891	1000mm	± 30mm
21. 15. 2894	1500mm	± 45mm
21. 15. 2892	2000mm	± 60mm
21. 15. 2893	3000mm	± 90mm
21. 15. 2895	5000mm	± 150mm
21. 15. 2896	7500mm	± 210mm
21. 15. 2897	10000mm	± 300mm
21. 15. 2898	15000mm	± 450mm
21. 15. 2899	20000mm	± 600mm

ITEM NO.	21. 15. 2979	21. 15. 2890	21. 15. 2891	21. 15. 2892	21. 15. 2893
21. 15. 2894	21. 15. 2895	21. 15. 2896	21. 15. 2897	21. 15. 2898	21. 15. 2899
DESC.	ROLINE S/FTP PatchCord CAT. 6A, LSOH, Comp. Level1, Pink				

BY	CHK	NEW	2016-09-13	A
REVISION RECORD MODIFICATIONS			DATE	REV.

