



Datenblatt - Fiche technique - Data sheet

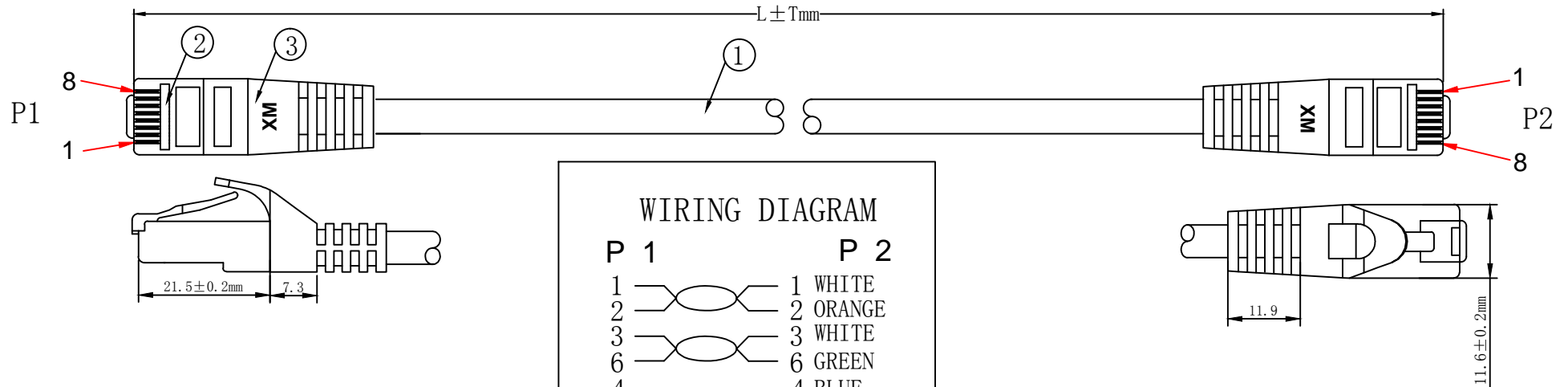
21.15.2874



ROLINE Patchkabel Kat.6A S/FTP (PiMF), Comp. Level, LSOH, orange, 1,5 m

Cordon ROLINE S/FTP(PiMF) Cat.6A / 10 Gigabit, LSOH, Component Level,
orange, 1,5 m

ROLINE S/FTP Patch Cord Cat.6A, Component Level, LSOH, orange, 1.5 m



1. ELECTRICAL TEST:

- (1). 100% OPEN SHORT & MISS WIRE TEST;
- (2). INSULATION RESISTANCE:DC 250V 20M OHM MIN;
- (3). CONTACTOR RESISTANCE:30 OHM MAX

2. PRINTING:GHMT® roline CAT. 6A S/FTP COMPONENT PATCH CORD LSZH 500MHz ISO/IEC 11801 & EN 50173-1 & ANSI/TIA-568-C. 2

3. 100% Component Patch cord Test PASS

4. Minimum bending radius:60mm

MATERIAL LIST

⑥	LABEL	NO DRY GLUE LABEL	1PCS	
⑤	MINI TIE	PE MINI TIE(POSSESS METAL)	2PCS	
④	POLYETHYLENE BAG	POLYETHYLENE BAG	1PCS	
③	OVER MOLD	88A PVC Orange	2PCS	
②	CONNECTOR	RJ45 8P8C' S SHIELDED PIN GOLD PLATED 3u", SHELL PLATED NICKEL Blue	Transparent 2PCS	
①	CABLE	S/FTP CAT. 6A 26AWG (BC*1P+AL-FOIL)*4P+BRAID CABLE JACKET LSOH OD=6. 2±0. 2MM	1PCS	
NO.	PARTS NAME	SPECIFICATION STANDARD	QT' Y	REMARK

COLOUR:Orange (PANTONE:1575C)

ITEM NO.	LENGTH (L)	TOLERANCE (T)
21. 15. 2977	300mm	± 10mm
21. 15. 2870	500mm	± 15mm
21. 15. 2871	1000mm	± 30mm
21. 15. 2874	1500mm	± 45mm
21. 15. 2872	2000mm	± 60mm
21. 15. 2873	3000mm	± 90mm
21. 15. 2875	5000mm	± 150mm
21. 15. 2876	7500mm	± 210mm
21. 15. 2877	10000mm	± 300mm
21. 15. 2878	15000mm	± 450mm
21. 15. 2879	20000mm	± 600mm

ITEM NO.	21. 15. 2977	21. 15. 2870	21. 15. 2871	21. 15. 2872	21. 15. 2873
21. 15. 2874	21. 15. 2875	21. 15. 2876	21. 15. 2877	21. 15. 2878	21. 15. 2879
DESC.	ROLINE S/FTP PatchCord CAT. 6A, LSOH, Comp. Level, Orange				

SECOMP

		NEW	2016-09-13	A
BY	CHK	REVISION RECORD MODIFICATIONS	DATE	REV.