



Datenblatt - Fiche technique - Data sheet

**21.15.2171**



ROLINE S/FTP-(PiMF-)Patchkabel Kat.6 Component Level, LSOH, rot, 1,5 m

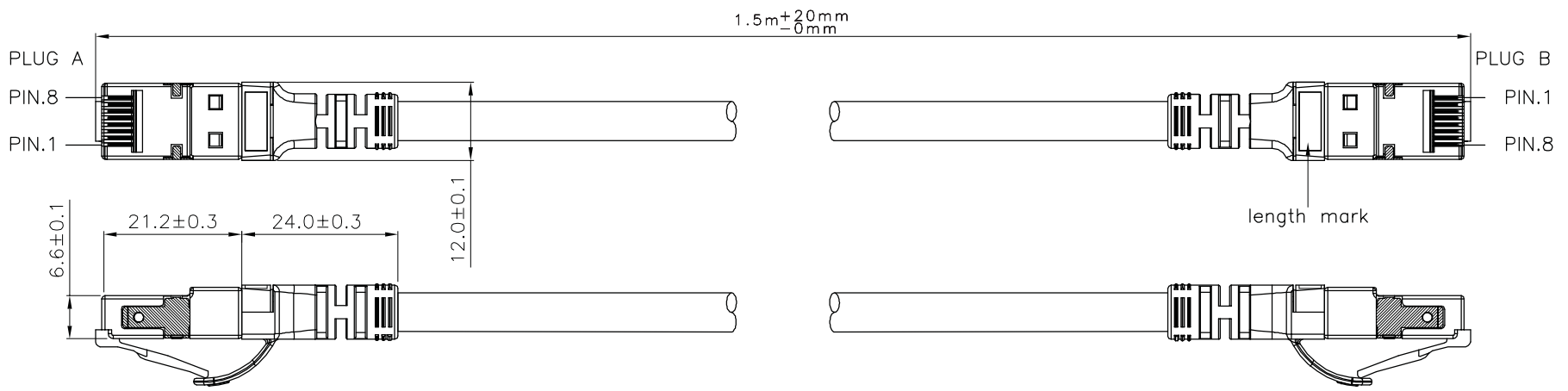
Cordon ROLINE S/FTP(PiMF) Cat.6, LSOH, Component Level, rouge, 1,5 m

ROLINE S/FTP Patch Cord Cat.6 Component Level, LSOH, red, 1.5 m

1 2 3 4 5 6

A

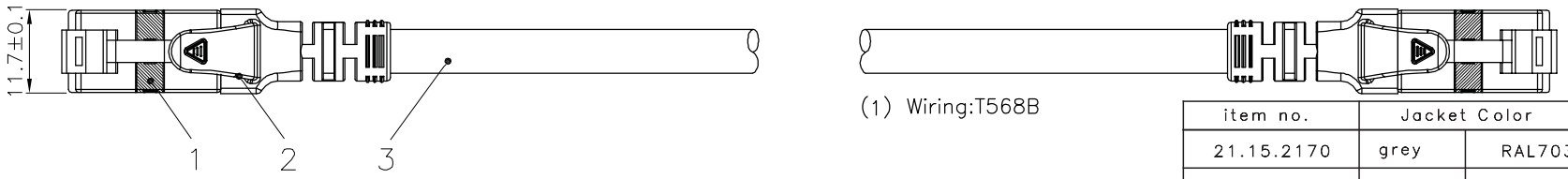
A



B

B

roline S/FTP PATCH CABLE 26AWG 4PR ISO/IEC 11801 & EN50288 CAT.6 LSOH XXXXXXXX-X



C

C

Specification :

- Material :
1. RJ45 Plug :
    - 1-1. Housing : Polycarbonate,Transparent color |
    - 1-2. Contact material : Phosphor Bronze with 50-60 micro-inch Nickel plated
    - 1-3. Contact finished : Min. 50 micro-inch Gold plated on surface contact area
    - 1-4. Shield : Bronze with Nickel plated
  2. SR : SR-V95 FOR S/FTP Boot with nose
  3. Cable :
    - 3-1. Jacket : LSOH
    - 3-2. Conductor : 26 AWG stranded copper
    - 3-3. Isolation : PE
    - 3-4. Shield : Aluminum Foil Shielded for Each Pair, copper clad with steel braid
  4. Cable structure : S/FTP, 4 twisted pair
  5. Minimum Bending Radius: 50mm

item no.	Jacket Color	
21.15.2170	grey	RAL7035
21.15.2171	red	RAL3031
21.15.2172	yellow	RAL1021
21.15.2173	green	RAL6029
21.15.2174	blue	RAL5015
21.15.2175	black	RAL9011
21.15.2176	white	RAL9003

D

D

item no	21.15.2170	21.15.2171	21.15.2172	21.15.2173	21.15.2174
	21.15.2175	21.15.2176			
Desc	ROLINE Cat 6 S/FTP Patch Cord,LSOH.Component Level,1.5m				
"#": Matching DIM.	DRAWING	10.Mar.2015	byz		
"*": Important DIM.	CHECK	10.Mar.2015	Jane		
Others General DIM.	APPROVAL	10.Mar.2015	Jaimy		
GENERAL TOLERANCE OF DIMENSIONS		DATE	NAME		
X.XXX ±0.005	SCALE	1/1 (A4)	UNIT	mm	
X.XX ±0.05					
X.X ±0.1					
	DRAWING NO.				
	DRAWING CLASSIFICATION		S	SHEET	1 OF 1

△					
No.	MODIFIED AREA	ORIGINAL	MODIFY	DATE	MODIFIER

1 2 3 4 5 6 10cm