



Datenblatt - Fiche technique - Data sheet

21.15.2070



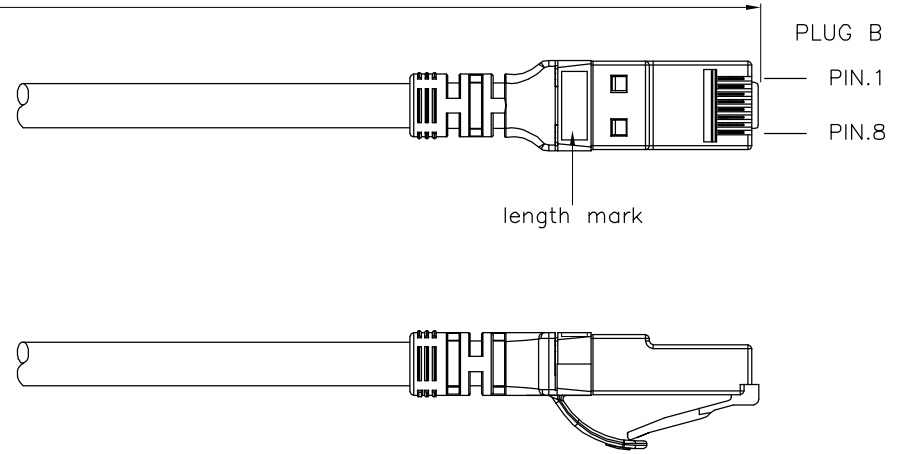
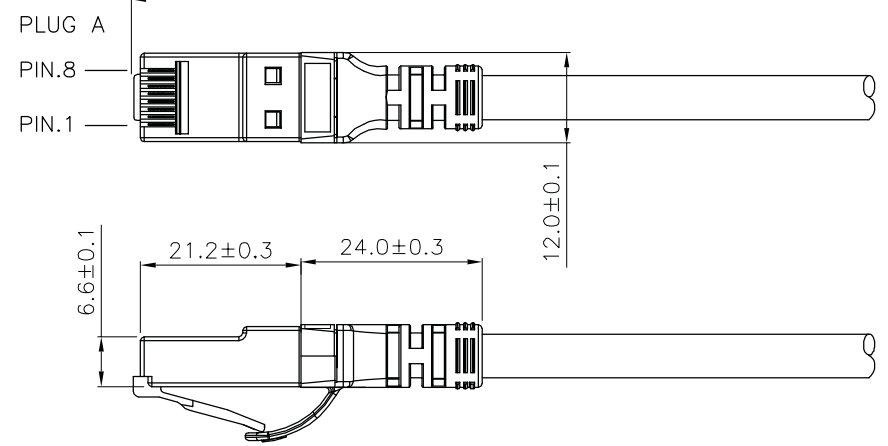
ROLINE UTP-Patchkabel Kat.6 Component Level, LSOH, grau, 1,5 m

Cordon ROLINE UTP Cat.6, LSOH, Component Level, gris, 1,5 m

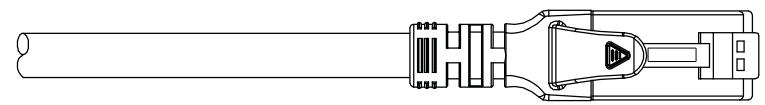
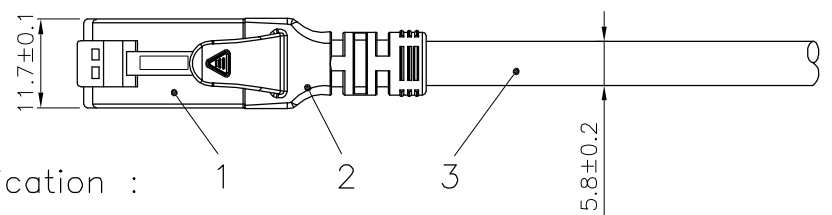
ROLINE UTP Cable Cat.6 Component Level, LSOH, grey, 1.5 m

1 2 3 4 5 6

1.5m^{+20mm}_{-0mm}



roline U/UTP PATCH CABLE 24AWG 4PR ANSI/TIA 568C.2 CAT.6 ETL Verified LSOH XXXXXX-X



Specification :

- Material :
- 1. RJ45 Plug :
 - 1-1. Housing : Polycarbonate,Transparent color
 - 1-2. Contact material : Phosphor Bronze with 50-60 micro-inch Nickel plated
 - 1-3. Contact finished : Min. 50 micro-inch Gold plated
 - 2. SR: PP-PP3015 Boot with nose
 - 3. Cable :
 - 3-1. Jacket : LSOH
 - 3-2. Conductor : 24 AWG stranded copper
 - 3-3. Isolation : PE
 - 3-4. Isolation Cross Bar for 4 pairs : PE
 - 4. Cable structure : U/UTP, 4 twisted pair with Cross Bar
 - 5. Minimum Bending Radius: 50mm

item no.	Jacket Color	
21.15.2070	grey	RAL7035
21.15.2071	red	RAL3031
21.15.2072	yellow	RAL1021
21.15.2073	green	RAL6029
21.15.2074	blue	RAL5015
21.15.2075	black	RAL9011
21.15.2076	white	RAL9003

item no	21.15.2070	21.15.2071	21.15.2072	21.15.2073	21.15.2074
	21.15.2075	21.15.2076			
Desc	ROLINE Cat 6 U/UTP Patch Cord,LSOH.Component Level,1.5m				
"#": Matching DIM.	DRAWING	10.Mar.2015	byz		
"*": Important DIM.	CHECK	10.Mar.2015	Jane		
Others General DIM.	APPROVAL	10.Mar.2015	Jaimy		
GENERAL TOLERANCE OF DIMENSIONS		DATE	NAME		
X.XXX ±0.005	SCALE	1/1 (A4)	UNIT	mm	
X.XX ±0.05	DRAWING NO.				
X.X ±0.1	DRAWING CLASSIFICATION		S	SHEET	1 OF 1

No.	MODIFIED AREA	ORIGINAL	MODIFY	DATE	MODIFIER

1 2 3 4 5 6 10cm