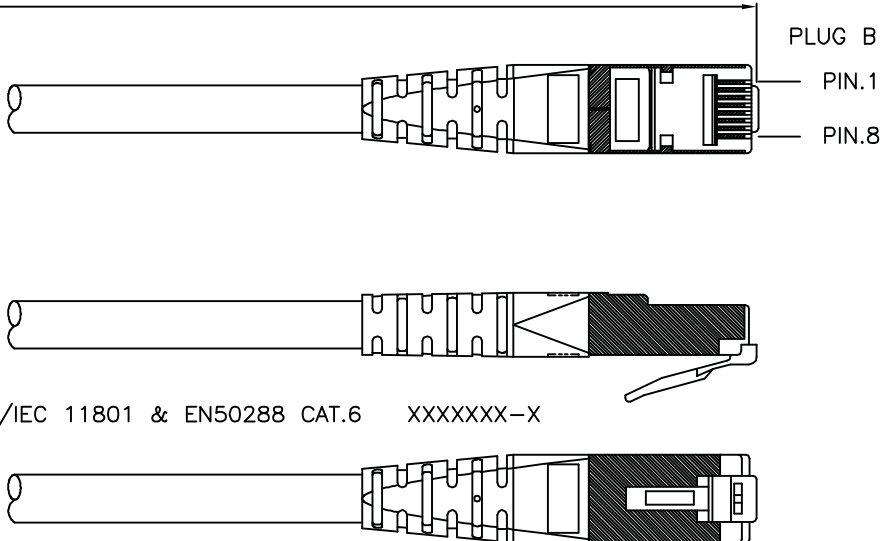
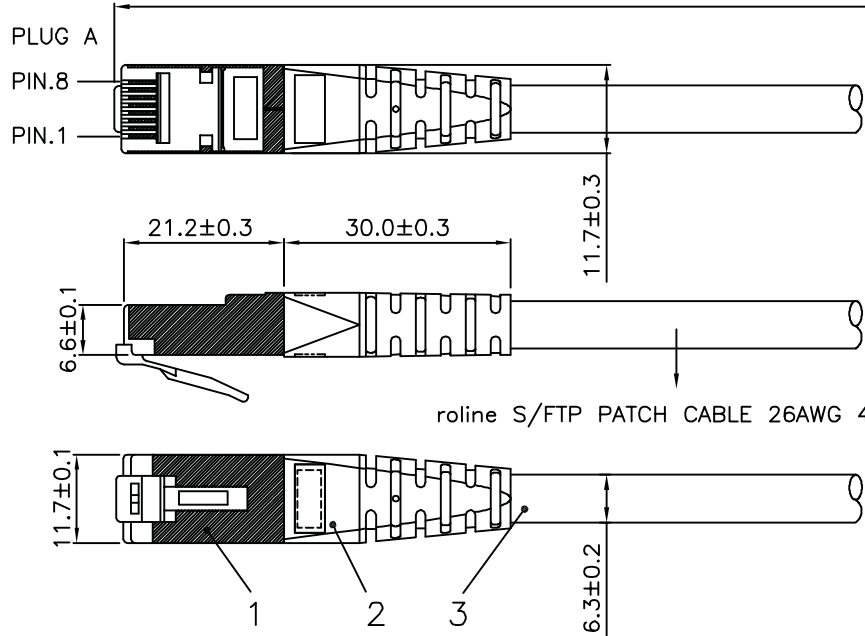


1 2 3 4 5 6

Total length (see below list)



roline S/FTP PATCH CABLE 26AWG 4PR ISO/IEC 11801 & EN50288 CAT.6 XXXXXXXX-X

- (1) Jacket Color : Brown(463C)
- (2) Wiring:T568B

item no.	length	tolerance
21.15.1318	0.3M	+20 -0
21.15.1328	0.5M	+20 -0
21.15.1338	1M	+20 -0
21.15.0842	1.5M	+20 -0
21.15.1348	2M	+20 -10
21.15.1358	3M	+20 -10
21.15.1368	5M	+30 -20
21.15.1378	7M	+30 -20
21.15.1388	10M	+30 -20
21.15.1398	15M	+30 -20
21.15.1408	20M	+70 -30

Specification :

Material :

1. RJ45 Plug :
  - 1-1. Housing : Polycarbonate,Transparent color.
  - 1-2. Contact material : Phosphor Bronze with 50-60 micro-inch Nickel plated.
  - 1-3. Contact finished : Min. 50 micro-inch Gold plated on surface contact area.
  - 1-4. Shield : Bronze with Nickel plated.
2. Molding : PVC.
3. Cable :
  - 3-1. Jacket : PVC.
  - 3-2. Conductor : 26 AWG stranded copper.
  - 3-3. Isolation : PE.
  - 3-4. Shield : Aluminum Foil Shielded for Each Pair, Tin Copper Braid.
4. Cable structure : S/FTP, 4 twisted pair.
5. Minimum Bending Radius: 50mm

item no	21.15.1318	21.15.1328	21.15.1338	21.15.0842	21.15.1348
	21.15.1358	21.15.1368	21.15.1378	21.15.1388	21.15.1398

Desc						ROLINE Cat.6 S/FTP Patch Cord,Brown					
"#" : Matching DIM. "*" : Important DIM. Others General DIM.	DRAWING	26.Aug.2016	byz			<b>SECOMP</b>					
	CHECK	26.Aug.2016	Jane								
	APPROVAL	26.Aug.2016	Jaimy								
	DATE		NAME								
GENERAL TOLERANCE OF DIMENSIONS		SCALE		UNIT		mm					
X.XXX ±0.005 X.XX ±0.05 X.X ±0.1		1/1 (A4)		mm							
DRAWING NO.			DRAWING CLASSIFICATION			S SHEET 1 OF 1					

No.	MODIFIED AREA	ORIGINAL	MODIFY	DATE	MODIFIER

1 2 3 4 5 6 10cm