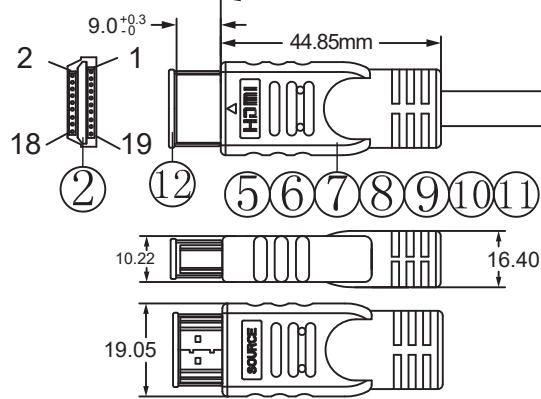
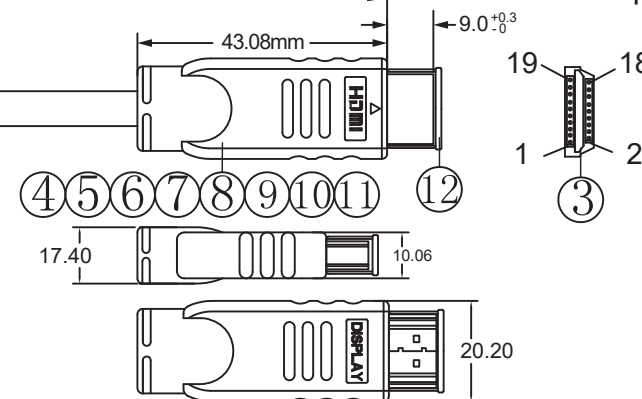


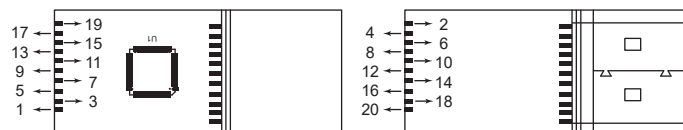
HDMI Source



HDMI Display

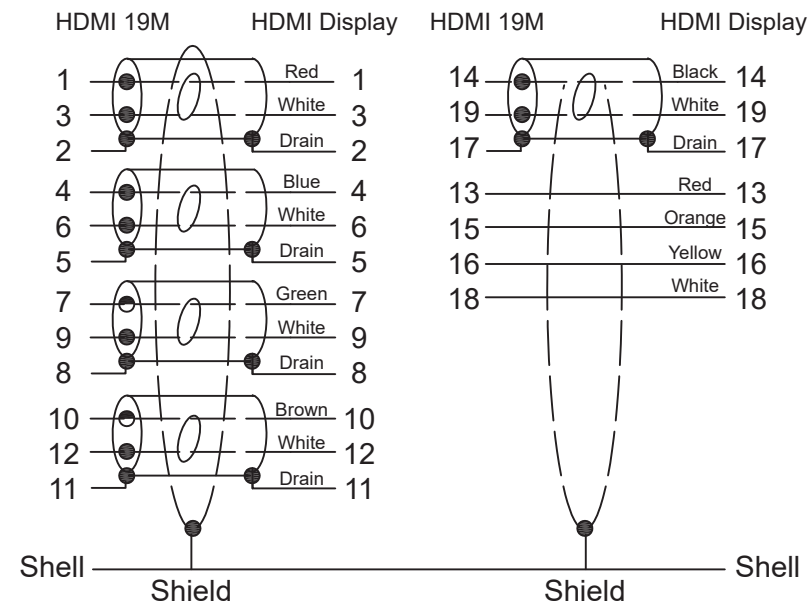


Pin Assignment on PCB :



P/N	L
14.01.3451	10M±100mm
14.01.3452	15M±100mm
14.01.3453	20M±100mm

Pin Assignment



Specification :

1	10201249300A04	Cable	L=10M, (1P*28AWG+A+D+M)*5C+4C*28AWG+MY+AL+D+B, OD: 7.3mm, Color: Black, 128 Aluminum; L=15~20M, (1P*24AWG+A+D+M)*5C+4C*24AWG+MY+AL+D+B, OD: 9.3mm, Color: Black, 216 Aluminum
2	103HD190100069	Connector	HDMI 19P Male, Gold Plated
3	103HD190100060	Connector	HDMI 19P Male, Gold Plated, 1.6mm Splint Spacing
4		Module	10~15M: HT8181; 20M: CXL1600 Module
5	10901080000001	Solder Tin Wire	Lead-Free, Green Wire, OD: 0.8mm, 1000g
6	10902100200001	Tube(1)	Shrink-Heat Tube, Black, OD: 1.0mm
7	10902300200003	Tube(2)	Shrink-Heat Tube, Black, OD: 3.0mm
8	106PE000000001	Inner Molding	LD-PE 950PE
9	10904180000001	Mask Tape	1.8cm
10	10903220000002	Copper Foil	2.2cm
11	106PV004500001	Outer Molding	PVC: 60P, Color: Black
12	104FC000000016	Dust Cover	PE

Rev.	Date	Contents of Change	Designer	Tol±								Approve	Check	Draw	Design	Product Name	ROLINE UltraHD HDMI Active Cable, M/M, Black		
				Range	Pla	Met	Ins	Por	Cab	Pac	Gas						Dis	Drawing Date	Product No.
△				0~6	0.1	0.1	0.1	0.2	0.5	1	0.5	0.2	Allen	Allen	Philip	2017-11-06	R00		
△				6~30	0.1	0.1	.15	.25	1	1	0.5	.25							
△				30~80	0.1	.15	0.2	0.3	2	1.5	1	0.3							
△				80~180	.15	.15	.25	0.3	2	2	1	.45							
△				180~315	.15	0.2	0.3	0.4	2.5	2	1	0.6							
△				315~800	0.2	0.3	0.4	0.5	3	3	2	1.1	Scale	1:1	Unit	mm			