



Datenblatt - Fiche technique - Data sheet

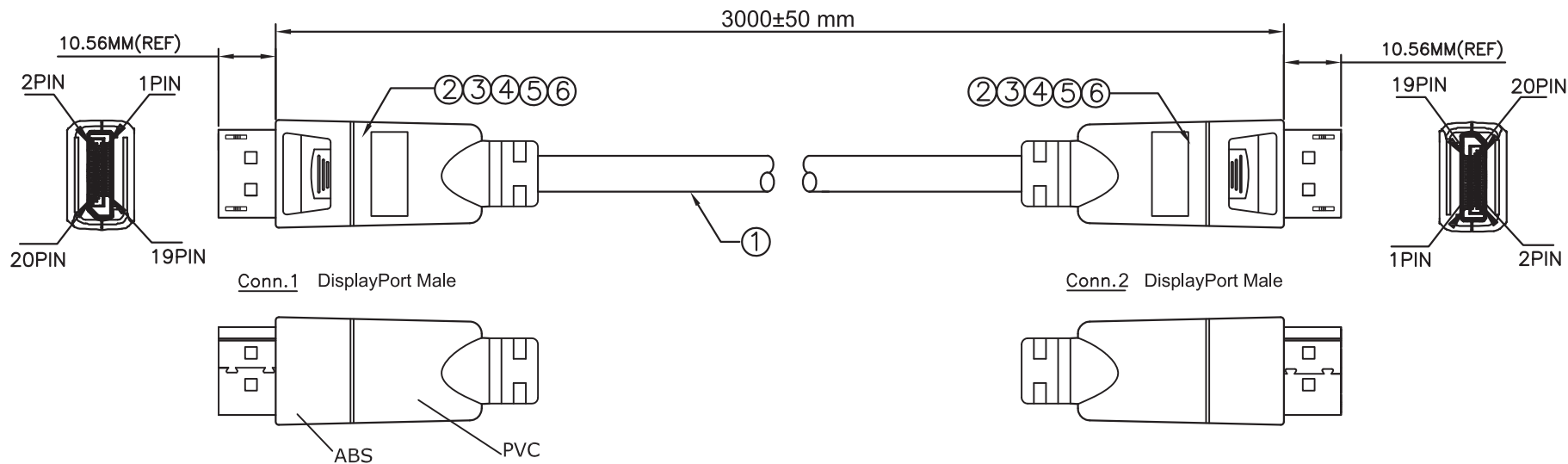
11.04.5812



ROLINE DisplayPort Kabel, 4K, DP ST - ST, 3,0 m

ROLINE Câble DisplayPort DP M - DP M, 3,0 m

ROLINE DisplayPort Cable, DP-DP, M/M, 3.0 m



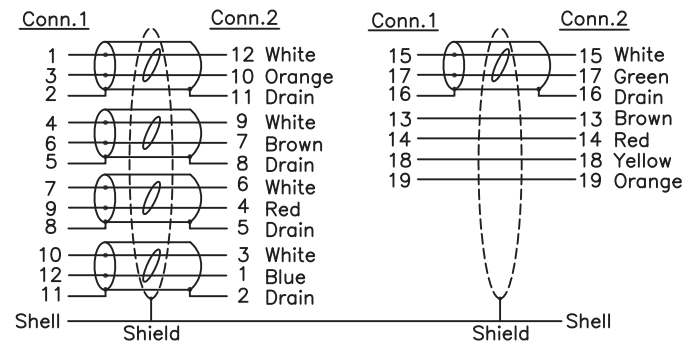
Electrical Test :

1. 100% Test(Open, Short, Miss Wire)
2. Contact Resistance: 2 ohm Max
3. Insulation Resistance: 10M ohm Min
4. Hi-Pot: 100V DC/10ms

DESCRIPTION :

1. DisplayPort UL20276 [(28AWG*1PR+D+AL/MY)*5+28AW*4C]+AL/MY+BD
OD:7.3MM, Jacket Color: Black
2. DisplayPort, Male, Pin: Gold Plated, Insulator: Black, Shell: Gold Plated
3. DisplayPort, Shell: ABS, Color: Black
4. DisplayPort, Shell: ABS, Color: Black
5. Outer Molding: PVC 45P, Color: Black
6. Inner Molding: PE

Pin Assignment



REV.	DATE	CONTENTS OF CHANGE	DESIGNER	TOL ±	Pl	Met	Ins	Por	Cab	Pac	Gas	DIS	APPROVAL	CHECK	DRAWING	DESIGN	DRAWING NAME	ROLINE DisplayPort Cable v1.3 DP-DP, M/M 3m, Black				
△				RANGE									PHILIP	PHILIP		henry	DATE	PART NO.	11.04.5812			
△				0~6	0.1	0.1	0.1	0.2	0.5	1	0.5	0.2					2016-12-05					
△				6~30	0.1	0.1	.15	.25	1	1	0.5	.25										
△				30~80	0.1	.15	0.2	0.3	2	1.5	1	0.3										
△				80~180	.15	.15	.25	0.3	2	2	1	.45										
△				180~315	.15	0.2	0.3	0.4	2.5	2	1	0.6										
△				315~800	0.2	0.3	0.4	0.5	3	3	2	1.1										



SCALE 1:1 UNIT MM